



www.Source1Parts.com

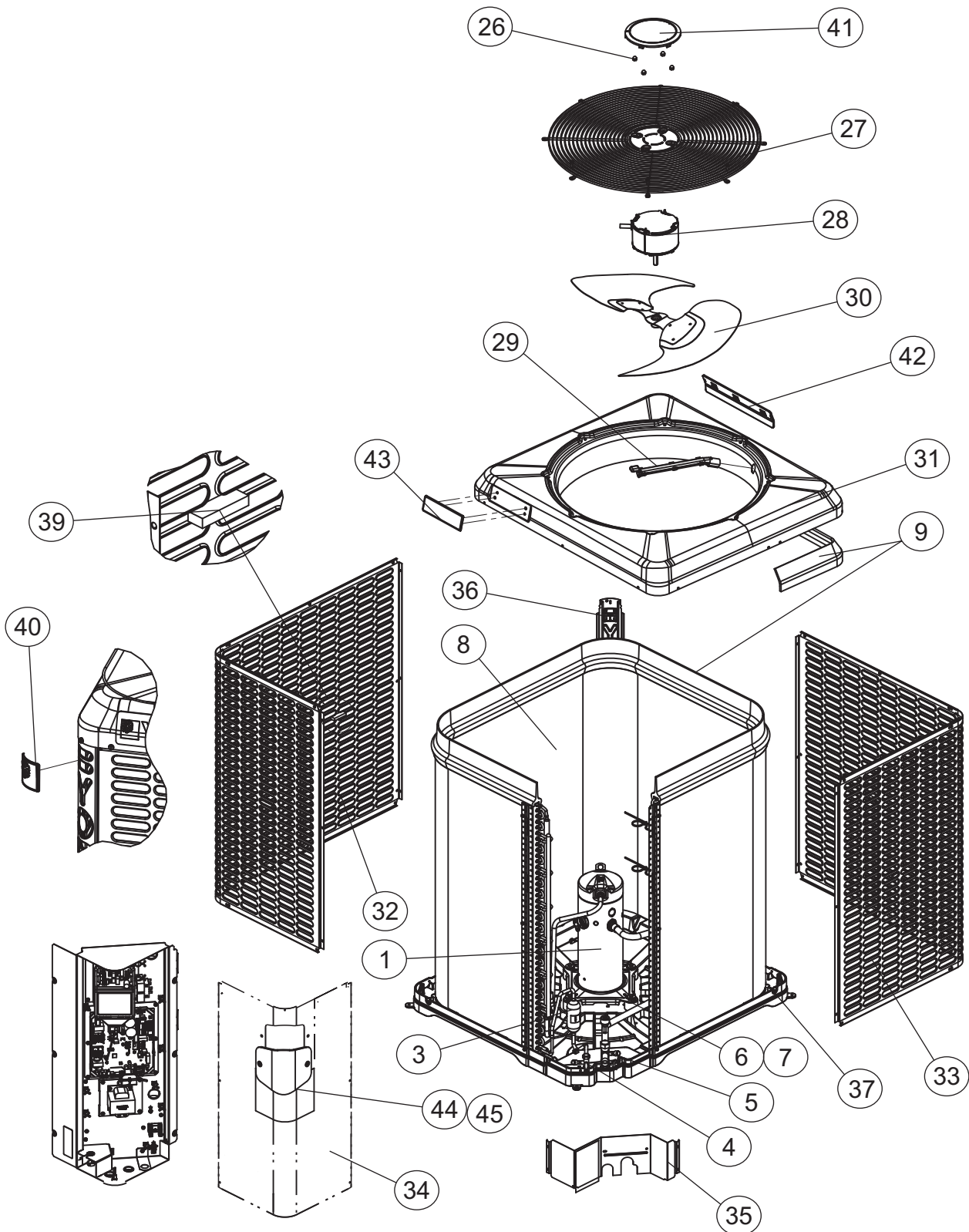
YXV SERIES - FIN AND TUBE 20 SEER VARIABLE CAPACITY AIR CONDITIONING R-410A (STYLE A)

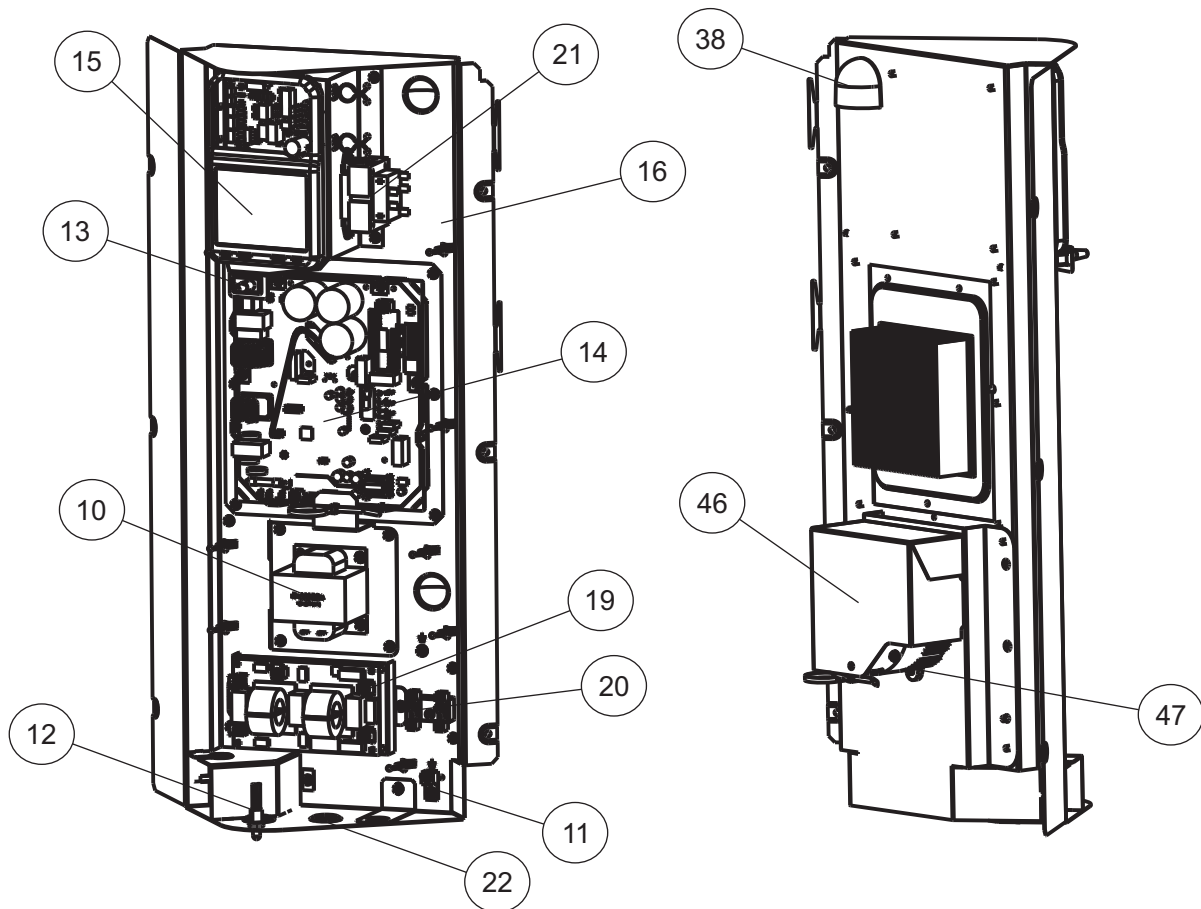
HVAC SERVICE PARTS

Supersedes: Nothing

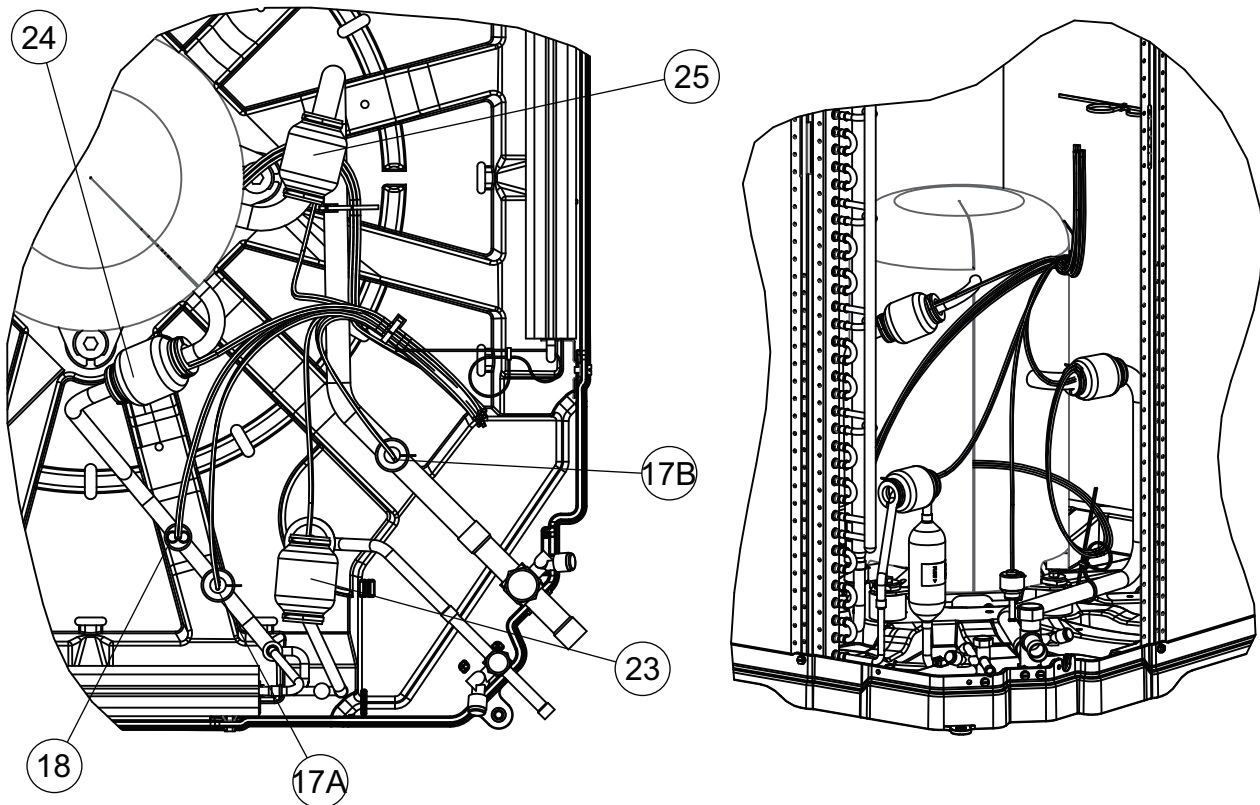
035-26451-001 Rev. A (0317)

1 of 4





Items 23, 24, and 25 are pointing to the insulation that covers the Temp. Sensors.



ITEM	DESCRIPTION	YXV24B21SA	YXV36B21SA	YXV48B21SA	YXV60B21SA
1	Compressor	S1-01504945004	S1-01504944004	S1-01504941004	S1-01504948004
2*	Blanket, Compressor	S1-01008841000	S1-01008841000	S1-01008841000	S1-01008841000
3	Filter Drier	S1-02922195000	S1-02922195000	S1-02922195000	S1-02922195000
4	Base Valve (3/8") (Liquid)	S1-02322459000	S1-02322459000	S1-02322459000	S1-02322459000
5	Base Valve (3/4") (Suction)	S1-02322460000	S1-02322460000	---	---
	Base Valve (7/8") (Suction)	---	---	S1-02322461000	S1-02322461000
6	Compressor Mount (4 Req'd)	S1-02810505000	S1-02810505000	S1-02810505000	S1-02810505000
7	Bolt, Compressor (4 Req'd)	S1-02118391000	S1-02118391000	S1-02118391000	S1-02118391000
8	Outdoor Coil Assembly	S1-37339421003	S1-37339421003	S1-37339458004	S1-37339458003
9	Molded Foam, Outdoor Coil	S1-02817070000	S1-02817070000	S1-02817074000	S1-02817074000
10	Reactor	S1-02439557000	S1-02439555000	S1-02439555000	S1-02439556000
11	Lug, Ground	S1-02521798000	S1-02521798000	S1-02521798000	S1-02521798000
12	Sensor, Ambient	S1-02549270000	S1-02549270000	S1-02549270000	S1-02549270000
13	Switch, Door	S1-02435738000	S1-02435738000	S1-02435738000	S1-02435738000
14	Inverter, Power	S1-33103743000	S1-33103745000	S1-33103745000	S1-33103746000
15	Board, Circuit	S1-03103742000	S1-03103742000	S1-03103742000	S1-03103742000
16	Panel, Control Box	S1-07339467001	S1-07339467001	S1-07339467001	S1-07339467001
17A	Transducer, Pressure, Discharge	S1-02439559000	S1-02439559000	S1-02439559000	S1-02439559000
17B	Transducer, Pressure, Suction	S1-02439560000	S1-02439560000	S1-02439560000	S1-02439560000
18	Switch, Pressure (High)	S1-02439562000	S1-02439562000	S1-02439562000	S1-02439562000
19	Filter, EMI, Single Phase	---	S1-02439558000	S1-02439558000	S1-02439558000
20	Block, Terminal	S1-02549145000	S1-02549145000	S1-02549145000	S1-02549145000
21	Transformer (208/240)	S1-02518452700	S1-02518452700	S1-02518452700	S1-02518452700
22	Plug, Seal (7/8")	S1-02815853000	S1-02815853000	S1-02815853000	S1-02815853000
23	Sensor, Temp, Liquid (3/8' Clip)	S1-02549147000	S1-02549147000	S1-02549147000	S1-02549147000
24	Sensor, Temp, Discharge (1/2' Clip)	S1-02549148000	S1-02549148000	S1-02549148000	---
	Sensor, Temp, Discharge (5/8' Clip)	---	---	---	S1-02549149000
25	Sensor, Temp, Suction (3/4' Clip)	S1-02549150000	S1-02549150000	---	---
	Sensor, Temp, Suction (7/8' Clip)	---	---	S1-02549151000	S1-02549151000
26	Kit, Motor Mounting (Acorn Nuts)	S1-36390117700	S1-36390117700	S1-36390117700	S1-36390117700
27	Guard, Fan	S1-02649685000	S1-02649685000	S1-02647763000	S1-02647763000
28	Motor, Fan	S1-02439551000	S1-02439552000	S1-02439553000	S1-02439553000
29	Wireway	S1-02816469000	S1-02816469000	S1-02816470000	S1-02816470000
30	Blade, Fan	S1-02646980000	S1-02646984000	S1-02646981000	S1-02646981000
31	Top	S1-07339469001	S1-07339469001	S1-07339469003	S1-07339469003
32	Panel, Coil Guard (LH)	S1-07339398026	S1-07339398026	S1-37339499005	S1-07339462004
33	Panel, Coil Guard (RH)	S1-07339398024	S1-07339398024	S1-37339499004	S1-07339462001
34	Cover, Control Box	S1-07339461001	S1-07339461001	S1-07339461001	S1-07339461001
35	Panel, Block-Off	S1-07339437002	S1-07339437002	S1-07339399024	S1-07339399009
36	Post, Corner	S1-07339466004	S1-07339466004	S1-07339466007	S1-07339466001
37	Pan, Base	S1-02817393000	S1-02817393000	S1-02817394000	S1-02817394000
38	Gasket, Rain Hood	S1-02817106000	S1-02817106000	S1-02817106000	S1-02817106000
39	Mount, Stand-off, Coil Guard (2 Req'd)	S1-02817062000	S1-02817062000	S1-02817062000	S1-02817062000
40	Corner Badge, Snowflake	S1-02817378000	S1-02817378000	S1-02817378000	S1-02817378000
41	Cap Assy, Top	S1-02817383000	S1-02817383000	S1-02817383000	S1-02817383000
42	Badge, Branding, 4-Post	S1-02817382000	S1-02817382000	S1-02817382000	S1-02817382000
43	Badge, Branding, 3-Post	S1-02817379000	S1-02817379000	S1-02817379000	S1-02817379000
44	Panel, Screen Access	S1-02649683000	S1-02649683000	S1-02649683000	S1-02649683000
45	Gasket, Panel, Access Screen	S1-02817389000	S1-02817389000	S1-02817389000	S1-02817389000
46	Panel, Controller Shield	S1-07339468001	S1-07339468001	S1-07339468001	S1-07339468001
47	Controller, Motor	S1-02439565000	S1-02439566000	S1-02439567000	S1-02439567000
48*	Harness, Compressor, 3.3-5.5 KW	S1-02549252000	S1-02549252000	S1-02549252000	S1-02549252000
49*	Harness, Power Inverter, Input	S1-02549259000	S1-02549259000	S1-02549259000	S1-02549259000
50*	Harness, Power, Transformer	S1-02549257000	S1-02549257000	S1-02549257000	S1-02549257000
51*	Harness, Comm, Inverter Input	S1-02549253000	S1-02549253000	S1-02549253000	S1-02549253000
52*	Harness, Power, Control Board	S1-02549258000	S1-02549258000	S1-02549258000	S1-02549258000
53*	Harness, Comm, Control Input	S1-02549260000	S1-02549260000	S1-02549260000	S1-02549260000
54*	Harness, Pressure Inducer, High	S1-02549261000	S1-02549261000	S1-02549261000	S1-02549261000
55*	Harness, Pressure Inducer, Low	S1-02549262000	S1-02549262000	S1-02549262000	S1-02549262000
56*	Harness, Reactor, 3.3 KW	S1-02549254000	S1-02549254000	S1-02549254000	S1-02549254000
57*	Strap, Cable	S1-02509607000	S1-02509607000	S1-02509607000	S1-02509607000
58*	Wiring Diagram	5295812	5295812	5295812	5295812

NOTE: *Not Shown
New replacement parts shown in **bold** face type at the first printing of parts list dated 3/17.
Major components and suggested stocking items are shown with shaded item number.
"←" Across from row indicates a change in that row. Changed part number are in red.
--- Not applicable to specified model.

TO ORDER AUTHORIZED FACTORY REPLACEMENT PARTS - Contact your Source1 HVAC Parts Distributor or visit our website at www.Source1Parts.com for a Distributor and Dealer listing.