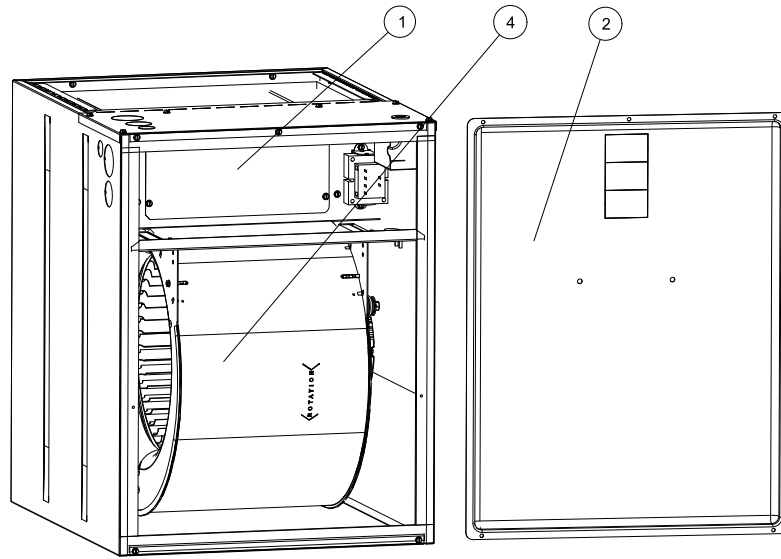


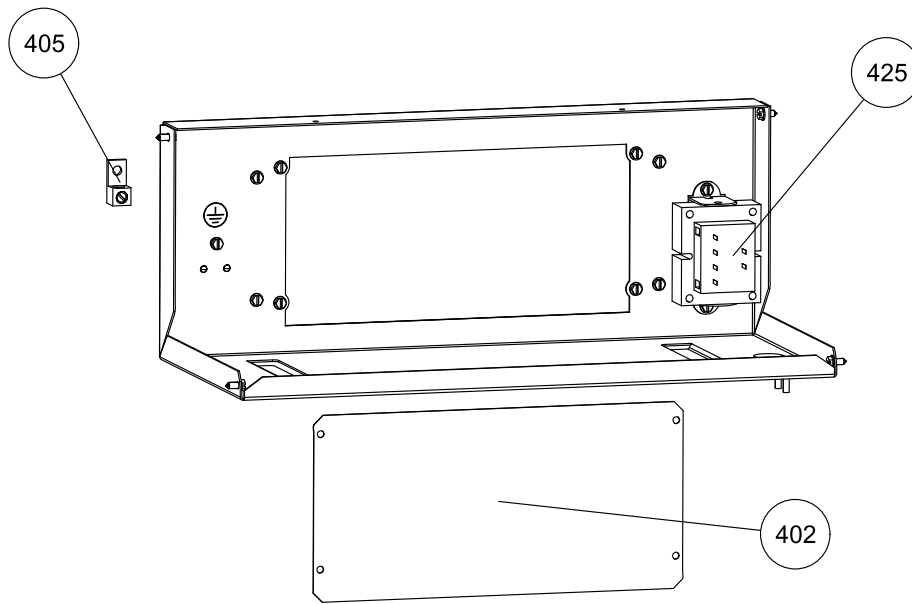
REPAIR PARTS LIST

PRINTED DATE: 1/27/2025

The information provided to you may include Johnson Controls' trade secrets, intellectual property, and confidential business information (including its Bill of Materials), and this information is to be kept in the strictest confidence and not to be disclosed to any third party without the prior written consent of Johnson Controls.

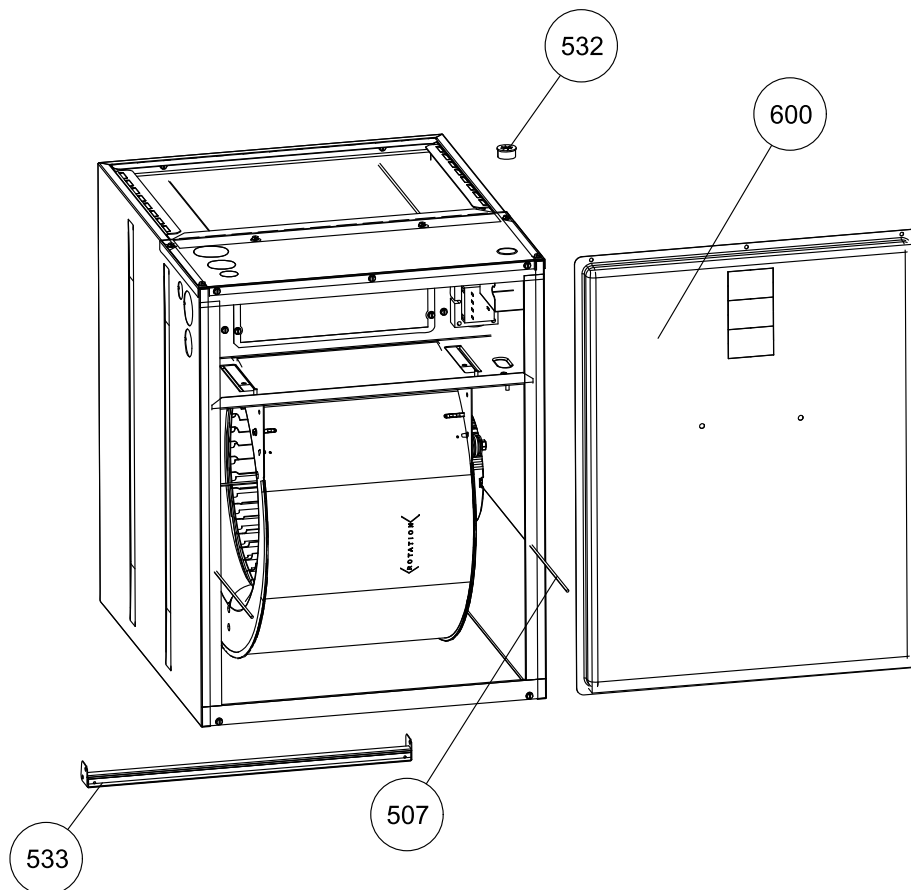


Section	Description
1	ELECTRICAL BOX / CONTROLS
2	SHEET METAL / CABINET PARTS
4	INDOOR BLOWER PARTS
8	MISCELLANEOUS
10	HARNESSES


Section : ELECTRICAL BOX / CONTROLS

Section	Callout	Replacement Part #	Description	Original Part #	JME08B2 SN1	JME12B2 SN1	JME12C2 SN1	JME16C2 SN1	JME18D2 SN1
1	402	S1-07339412001	COVER,HEAT	S1-07339412001	1	1	1	1	1
1	405	S1-02521798000	LUG,GROUND,ELECTRICAL ALUMINUM 1.06 X .5	S1-02521798000	1	1	1	1	1
1	425	S1-02518452700	TRNSF,208/240V,24V/40VA,50/60 HZ	S1-02518452700	1	1	1	1	1

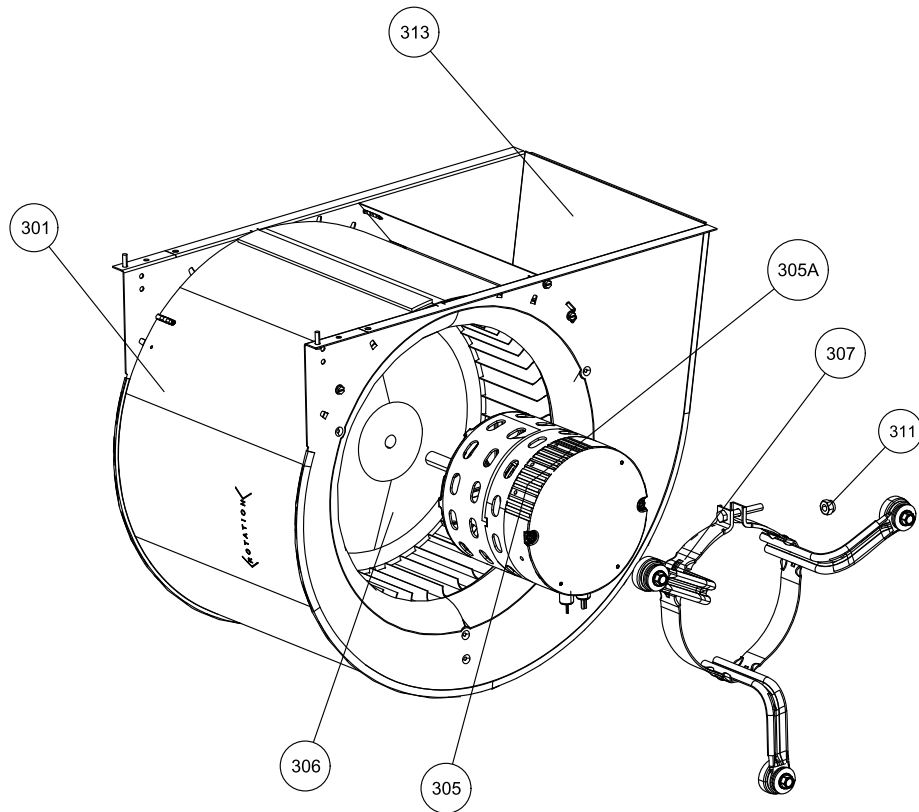
Suggested stocking items are shown with shaded item number.



Section : SHEET METAL / CABINET PARTS

Section	Callout	Replacement Part #	Description	Original Part #	JME08B2 SN1	JME12B2 SN1	JME12C2 SN1	JME16C2 SN1	JME18D2 SN1
2	507	S1-02925441000	INSULATION RETAINER,B-CABINET	S1-02925441000	1	1			
2	507	S1-02925442000	INSULATION RETAINER,C-CABINET	S1-02925442000			1	1	
2	507	S1-02925443000	INSULATION RETAINER,D-CABINET	S1-02925443000					1
2	523	S1-07349420021	PNL,ASSEM,TOP,W/INSUL,17.5,MMIST	S1-07349420021	1	1			
2	523	S1-07349421022	PNL,ASSEM,TOP,W/INSUL,21.0,MMIST	S1-07349421022			1	1	
2	523	S1-07349422023	PNL,ASSEM,TOP,W/INSUL,24.5,MMIST	S1-07349422023					1
2	533	S1-37348963001	BRACE,LOWER,W/INSUL,MB 17.5	S1-37348963001	1	1			
2	533	S1-37348964001	BRACE,LOWER,W/INSUL,MB 21.0	S1-37348964001			1	1	
2	533	S1-37348965001	BRACE,LOWER,W/INSUL,MB 24.5	S1-37348965001					1
2	600	S1-07349423024	PNL,ASSEM,UPPER ACCESS,17.5,MMIST	S1-07349423024	1	1			
2	600	S1-07349424025	PNL,ASSEM,UPPER ACCESS,21.0,MMIST	S1-07349424025			1	1	
2	600	S1-07349425026	PNL,ASSEM,UPPER ACCESS,24.5,MMIST	S1-07349425026					1

Suggested stocking items are shown with shaded item number.



Section : INDOOR BLOWER PARTS

Section	Callout	Replacement Part #	Description	Original Part #	JME08B2 SN1	JME12B2 SN1	JME12C2 SN1	JME16C2 SN1	JME18D2 SN1
4	301	S1-37348827001	HOUSING,BLOWER,11-8,AHU/MOD	S1-37348827001	1	1			
4	301	S1-37348828001	HOUSING,BLOWER,11-10,AHU/MOD	S1-37348828001			1	1	
4	301	S1-37348829001	HOUSING,BLOWER,11-11,AHU/MOD	S1-37348829001					1
4	305	S1-32442398001	MTR,BLW,PRGRM,1/3,230V,ECM,BROAD OCEAN	S1-32442398001	1				
4	305	S1-32442399001	MTR,BLW,PRGRM,1/2,230V,ECM,BROAD OCEAN	S1-32442399001		1			
4	305	S1-32442399002	MTR,BLW,PRGRM,1/2,230V,ECM,BROAD OCEAN	S1-32442399002			1		
4	305	S1-32442400001	MTR,BLW,PRGRM,3/4,230V,ECM,BROAD OCEAN	S1-32442400001				1	
4	305	S1-32442400002	MTR,BLW,PRGRM,3/4,230V,ECM,BROAD OCEAN	S1-32442400002					1
4	305A	S1-02442398000	MTR,BLW,UNPRGRM,1/3,208/230V,CCWLE ECM	S1-02442398000	1				
4	305A	S1-02442399000	MTR,BLW,UNPRGRM,1/2,208/230V,CCWLE ECM	S1-02442399000		1	1		
4	305A	S1-02442400000	MTR,BLW,UNPRGRM,3/4,208/230V,CCWLE ECM	S1-02442400000				1	1
4	306	S1-02619654012	WHL,BLW,11 X 10,CW,1/2 BORE	S1-02634501000			1	1	
4	306	S1-02638510000	WHL,BLW 11X11,CW,1/2" BORE	S1-02638510000					1
4	306	S1-02650615000	WHL,BLW,11-8	S1-02650615000	1	1			

4	307	S1-32650612001	MOUNT,ASSEMBLY,BLWR MOTOR	S1- 32650612 001	1	1	1	1	1
4	311	S1-02108968000	NUT,HEX,SELF LOCKING,1/4-20	S1- 02108968 000	1	1	1	1	1

Suggested stocking items are shown with shaded item number.

Section : MISCELLANEOUS

Section	Callout	Replacement Part #	Description	Original Part #	JME08B2 SN1	JME12B2 SN1	JME12C2 SN1	JME16C2 SN1	JME18D2 SN1
8	NS	6404624	WIRING DIAGRAM - 5.5 X 8.5 JME STD ECM	6404624	1	1	1	1	1
8	NS	S1-02522638000	BUSHING,SNAP	S1-02522638000	1	1	1	1	1
8	NS	S1-02813360000	STRIP,NEOPRENE	S1-02813360000	1	1	1	1	1

Suggested stocking items are shown with shaded item number.

Section : HARNESES

Section	Callout	Replacement Part #	Description	Original Part #	JME08B2 SN1	JME12B2 SN1	JME12C2 SN1	JME16C2 SN1	JME18D2 SN1
10	50	S1-02553947000	HARNESS,STD ECM,JME	S1-02553947000	1	1	1	1	1

Suggested stocking items are shown with shaded item number.

Model series repair parts lists are generated for each model number from the last production bill of material.

Major components and suggested stocking items are shown with shaded item number.

Repair parts lists are subject to change without notice.

TO ORDER AUTHORIZED FACTORY REPLACEMENT PARTS - Contact your Source1 HVAC Parts Distributor or visit our website at www.Source1Parts.com for a Distributor and Dealer listing.

Copyright © 2025 by Johnson Controls Inc. All rights reserved.

Johnson Controls Unitary Products