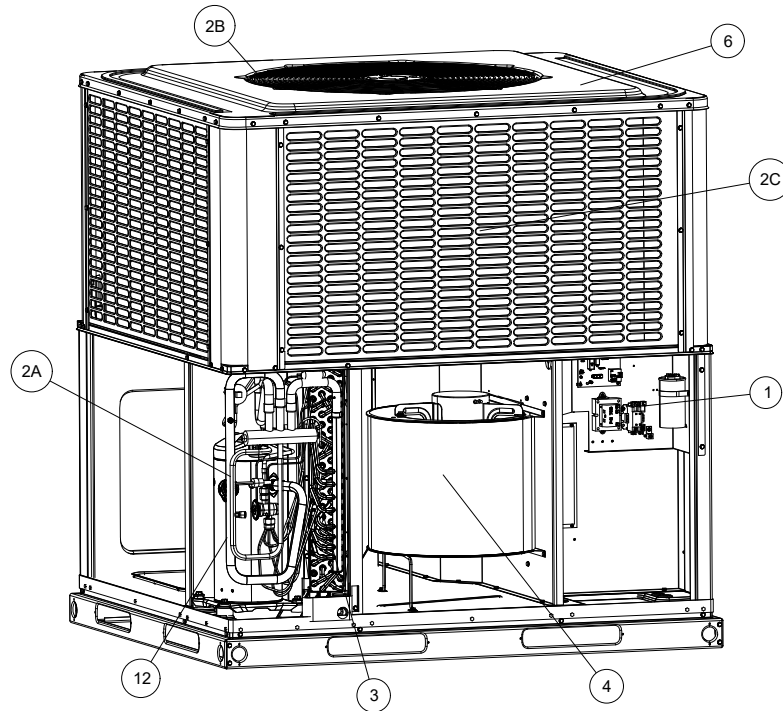


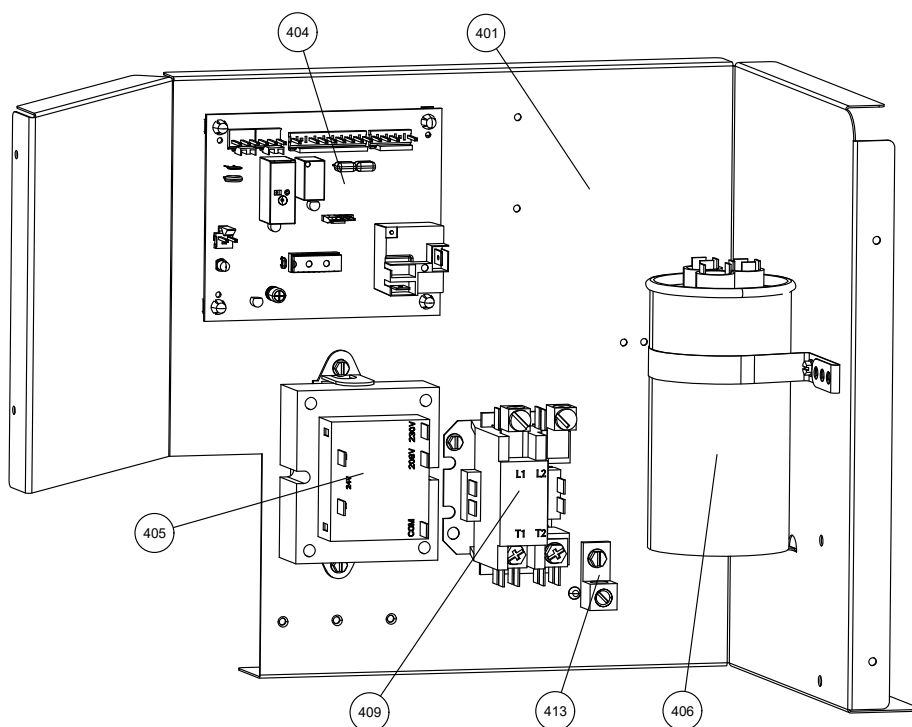
## REPAIR PARTS LIST

PRINTED DATE: 1/29/2025

The information provided to you may include Johnson Controls' trade secrets, intellectual property, and confidential business information (including its Bill of Materials), and this information is to be kept in the strictest confidence and not to be disclosed to any third party without the prior written consent of Johnson Controls.



Section	Description
1	ELECTRICAL BOX / CONTROLS
2	SHEET METAL / CABINET PARTS
2A	SHEET METAL / INTERIOR PANELS
2B	SHEET METAL / CABINET PARTS- BACK
2C	SHEET METAL / CABINET PARTS- FRONT
3	REFRIGERATION SYSTEM
4	INDOOR BLOWER PARTS
6	ROOF ASSEM / OUTDOOR FAN AND MOTOR PARTS
8	MISCELLANEOUS
9	WIRING DIAGRAM / VFD PARAMETER
10	HARNESSES
12	COMPRESSOR



## Section : ELECTRICAL BOX / CONTROLS

Section	Callout	Replacement Part #	Description	Original Part #	PHE4A24 24	PHE4A30 24	PHE4B36 24	PHE4B42 24	PHE4B48 24
1	NS	S1-02538584000	CNTRL,DEFROST,AMBIENT TEMPERATURE	S1-02538584000	1	1	1	1	1
1	NS	S1-02547267000	HARNESS,WIRING	S1-02547267000	1	1	1	1	1
1	NS	S1-02442183000	CNTRL,TEMP,275/255 (O/C),SPST	S1-02442183000	1	1	1	1	1
1	NS	S1-02552097000	SENSOR,TEMP,DEFROST THERMISTOR	S1-02552097000	1	1	1	1	1
1	404	S1-03103754000	BOARD,CIRCUIT,DEFROST,RE SPAC	S1-03103754000	1	1	1	1	1
1	405	S1-02518452700	TRNSF,208/240V,24V/40VA,50/60 HZ	S1-02518452700	1	1	1	1	1
1	406	S1-02423998700	CAP,RUN DUAL,35/5MFD,370V,ROUND	S1-02423998700	1				
1	406	S1-02425528700	CAP,RUN DUAL,45/7.5MFD,440V,OVAL	S1-02425528700			1	1	
1	406	S1-02425893700	CAP,RUN DUAL,40/5MFD,370V,ROUND	S1-02425893700		1			
1	406	S1-02436218000	CAP,RUN,DUAL,70/7.5MFD,440V,ROUND	S1-02436218000					1
1	409	S1-02425837700	CNTCTR,ELECTRICAL,SPNO,40A,24V	S1-02425837700			1	1	1
1	409	S1-02427531000	CNTCTR 1 POLE W/SHUNT,30A,24V	S1-02427531000	1	1			
1	413	S1-02521798000	LUG,GROUND,ELECTRICAL ALUMINUM 1.06 X .5	S1-02521798000	1	1	1	1	1

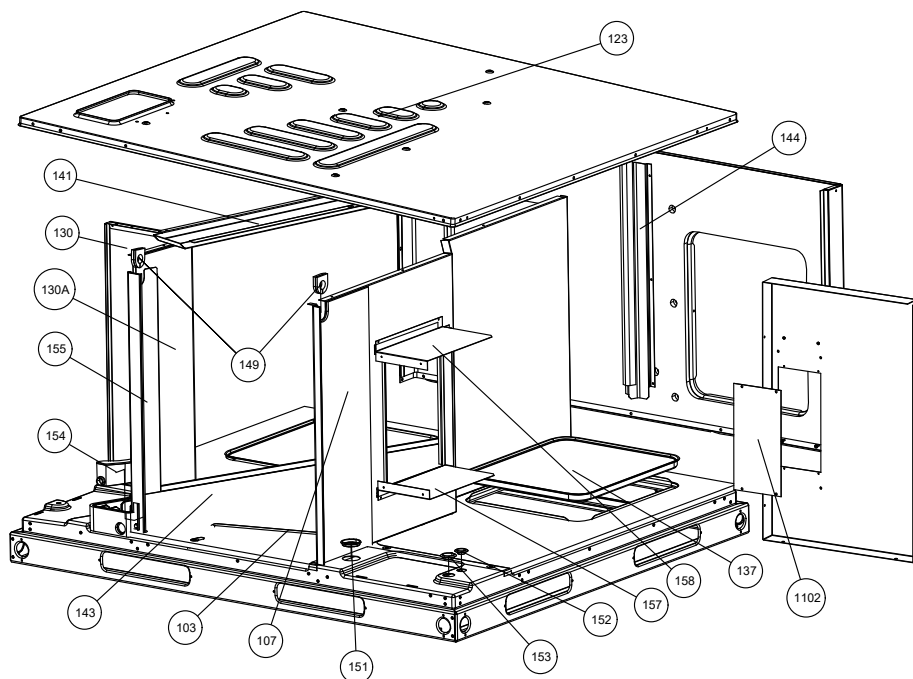
Section	Callout	Replacement Part #	Description	Original Part #	PHE4B60 24				
1	NS	S1-02538584000	CNTRL,DEFROST,AMBIENT TEMPERATURE	S1-02538584000	1				
1	NS	S1-02547267000	HARNESS,WIRING	S1-02547267000	1				
1	NS	S1-02442183000	CNTRL,TEMP,275/255 (O/C),SPST	S1-02442183000	1				
1	NS	S1-02552097000	SENSOR,TEMP,DEFROST THERMISTOR	S1-02552097000	1				
1	404	S1-03103754000	BOARD,CIRCUIT,DEFROST,RE SPAC	S1-03103754000	1				
1	405	S1-02518452700	TRNSF,208/240V,24V/40VA,50/60 HZ	S1-02518452700	1				
1	406	S1-02436218000	CAP,RUN,DUAL,70/7.5MFD,440 V,ROUND	S1-02436218000	1				
1	409	S1-02425837700	CNTCTR,ELECTRICAL,SPNO,40 A,24V	S1-02425837700	1				
1	413	S1-02521798000	LUG,GROUND,ELECTRICAL ALUMINUM 1.06 X .5	S1-02521798000	1				

Suggested stocking items are shown with shaded item number.

Section	Callout	Replacement Part #	Description	Original Part #	PHE4A24 24	PHE4A30 24	PHE4B36 24	PHE4B42 24	PHE4B48 24
---------	---------	--------------------	-------------	-----------------	---------------	---------------	---------------	---------------	---------------

Section	Callout	Replacement Part #	Description	Original Part #	PHE4B60 24				
---------	---------	--------------------	-------------	-----------------	---------------	--	--	--	--

Suggested stocking items are shown with shaded item number.



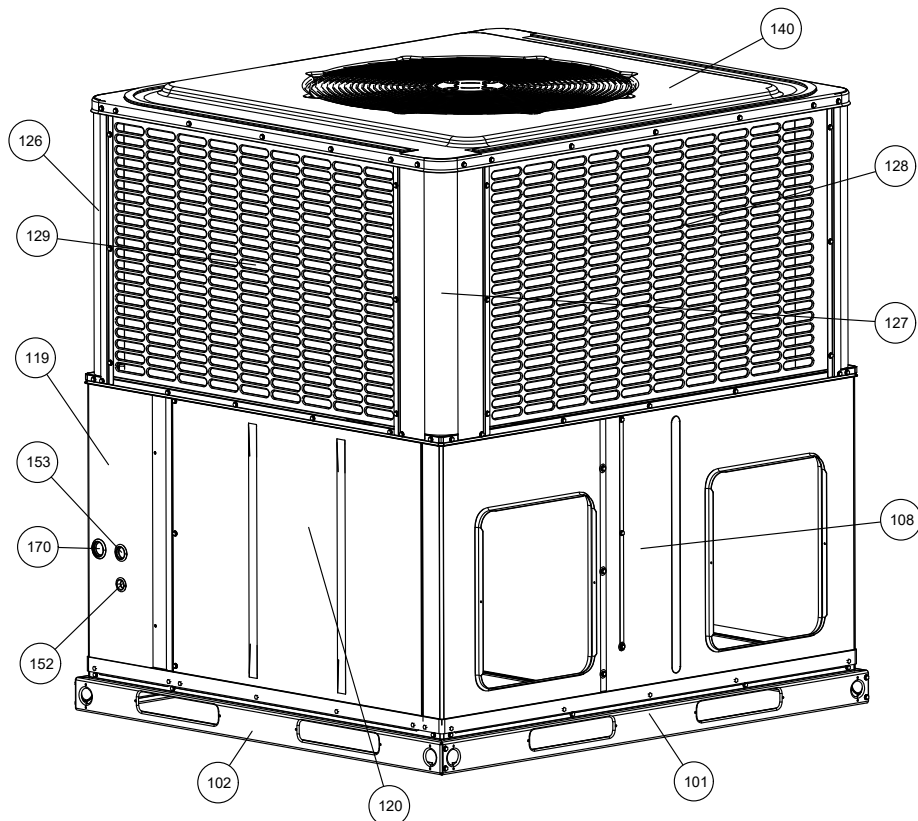
## Section : SHEET METAL / INTERIOR PANELS

Section	Callout	Replacement Part #	Description	Original Part #	PHE4A24 24	PHE4A30 24	PHE4B36 24	PHE4B42 24	PHE4B48 24
2A	103	S1-37327988001	BASE PAN ASSEM,LARGE	S1-37327988001			1	1	1
2A	103	S1-37327988002	BASE PAN ASSEM,SMALL	S1-37327988002	1	1			
2A	107	S1-37347186001	DECK,BLOWER,LG 10,RESPAK	S1-37347186001			1	1	1
2A	107	S1-37347188001	DECK,BLOWER,SM 8,RESPAK	S1-37347188001	1	1			
2A	123	S1-37347176001	PNL,ASSEM,MID PAN,SM,RESPAK	S1-37347176001	1	1			
2A	123	S1-37347177001	PNL,ASSEM,MID PAN,LG,RESPAK	S1-37347177001			1	1	1
2A	130	S1-37347178001	PNL,ASSEM,COMPRESSOR BARRIER,RESPAK	S1-37347178001	1	1	1	1	1
2A	137	S1-37327995001	PANEL ASSEM,DUCT COVER,10X16	S1-37327995001	2	2			
2A	137	S1-37327995002	PANEL ASSEM,DUCT COVER,14X16	S1-37327995002			2	2	2
2A	141	S1-07339388001	PANEL,COIL BLOCKOFF,LARGE	S1-07339388001			1	1	1
2A	141	S1-07339388002	PANEL,COIL BLOCKOFF,SMALL	S1-07339388002	1	1			
2A	143	S1-37339497001	DRAIN PAN ASSEM,RESPAK,SM	S1-37339497001	1	1			
2A	143	S1-37339497002	DRAIN PAN ASSEM,RESPAK,LG	S1-37339497002			1	1	1
2A	144	S1-37347185001	PNL,COIL BLOCKOFF REAR,RESPAK	S1-37347185001	1	1	1	1	1

2A	149	S1-02530823001	GROMMET,D,SPLIT,0.5 DIAMETER	S1-02530823001	2	2	2	2	2
2A	151	S1-02814787000	GROMMET,1-5/8 INCH	S1-02814787000	1	1	1	1	1
2A	152	S1-02815853000	PLUG,SEAL 7/8 INCH HOLE BLACK	S1-02815853000	2	2	2	2	2
2A	153	S1-02816466000	PLUG,PLASTIC,1-3/32 INCH	S1-02816466000	2	2	2	2	2
2A	154	S1-02817076001	INSERT,DRAIN PAN	S1-02817076001	1	1	1	1	1
2A	155	S1-37347182001	PNL_COIL BLOCKOFF,FRONT 4R,RESPAK	S1-37347182001					1
2A	155	S1-37347183001	PNL_COIL BLOCKOFF,FRONT 3R,RESPAK	S1-37347183001	1	1	1	1	
2A	1102	S1-07339412001	COVER,HEAT	S1-07339412001	1	1	1	1	1

Section	Callout	Replacement Part #	Description	Original Part #	PHE4B60 24				
2A	103	S1-37327988001	BASE PAN ASSEM,LARGE	S1-37327988001	1				
2A	107	S1-37347186001	DECK,BLOWER,LG 10,RESPAK	S1-37347186001	1				
2A	123	S1-37347177001	PNL_ASSEM,MID PAN,LG,RESPAK	S1-37347177001	1				
2A	130	S1-37347178001	PNL_ASSEM,COMPRESSOR BARRIER,RESPAK	S1-37347178001	1				
2A	137	S1-37327995002	PANEL ASSEM,DUCT COVER,14X16	S1-37327995002	2				
2A	141	S1-07339388001	PANEL,COIL BLOCKOFF,LARGE	S1-07339388001	1				
2A	143	S1-37339497002	DRAIN PAN ASSEM,RESPAK,LG	S1-37339497002	1				
2A	144	S1-37347185001	PNL_COIL BLOCKOFF REAR,RESPAK	S1-37347185001	1				
2A	149	S1-02530823001	GROMMET,D,SPLIT,0.5 DIAMETER	S1-02530823001	2				
2A	151	S1-02814787000	GROMMET,1-5/8 INCH	S1-02814787000	1				
2A	152	S1-02815853000	PLUG,SEAL 7/8 INCH HOLE BLACK	S1-02815853000	2				
2A	153	S1-02816466000	PLUG,PLASTIC,1-3/32 INCH	S1-02816466000	2				
2A	154	S1-02817076001	INSERT,DRAIN PAN	S1-02817076001	1				
2A	155	S1-37347182001	PNL_COIL BLOCKOFF,FRONT 4R,RESPAK	S1-37347182001	1				
2A	1102	S1-07339412001	COVER,HEAT	S1-07339412001	1				

Suggested stocking items are shown with shaded item number.



## Section : SHEET METAL / CABINET PARTS- BACK

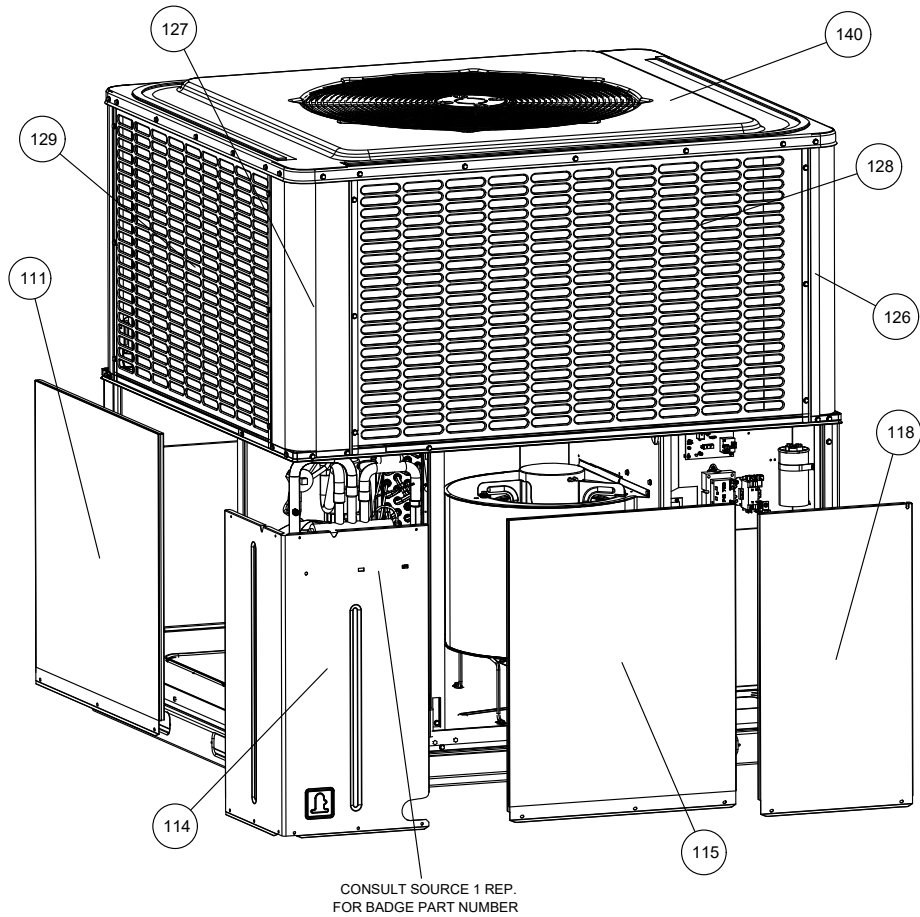
Section	Callout	Replacement Part #	Description	Original Part #	PHE4A24 24	PHE4A30 24	PHE4B36 24	PHE4B42 24	PHE4B48 24
2B	NS	S1-02538584000	CNTRL,DEFROST,AMBIENT TEMPERATURE	S1-02538584000	1	1	1	1	1
2B	101	S1-07327986001	BASE RAIL,FRONT & REAR	S1-07327986001	2	2	2	2	2
2B	102	S1-07327986002	BASE RAIL,SIDE,LARGE	S1-07327986002			2	2	2
2B	102	S1-07327986003	BASE RAIL,SIDE,SMALL	S1-07327986003	2	2			
2B	108	S1-37327989001	PANEL ASSEM,REAR DUCT,LARGE	S1-37327989001			1	1	1
2B	108	S1-37327989002	PANEL ASSEM,REAR DUCT,SMALL	S1-37327989002	1	1			
2B	119	S1-37347173001	PNL,ASSEM,UTILITY,ELEC,RESPAK	S1-37347173001	1	1	1	1	1
2B	120	S1-37347174001	PNL,ASSEM,HEAT EXCH ACCESS,SM,RESPAK	S1-37347174001	1	1			
2B	120	S1-37347175001	PNL,ASSEM,HEAT EXCH ACCESS,LG,RESPAK	S1-37347175001			1	1	1
2B	126	S1-07346546001	POST,CORNER,RESPAK,12 IN,SMALL,CHAMP	S1-07346546001	2				
2B	126	S1-07346547001	POST,CORNER,RESPAK,14 IN,SMALL,CHAMP	S1-07346547001		2			
2B	126	S1-07346548001	POST,CORNER,RESPAK,16 IN,SMALL,CHAMP	S1-07346548001			2	2	
2B	126	S1-07346551001	POST,CORNER,RESPAK,22 IN,SMALL,CHAMP	S1-07346551001					2
2B	127	S1-07346539001	POST,CORNER,RESPAK,12 IN,LARGE,CHAMP	S1-07346539001	2				

2B	127	S1-07346540001	POST,CORNER,RESPAK,14 IN,LARGE,CHAMP	S1-07346540001		2				
2B	127	S1-07346541001	POST,CORNER,RESPAK,16 IN,LARGE,CHAMP	S1-07346541001			2	2		
2B	127	S1-07346544001	POST,CORNER,RESPAK,22 IN,LARGE,CHAMP	S1-07346544001						2
2B	128	S1-37346525001	GUARD,COIL,RESPAK,12 IN,FRONT&REAR,CHAMP	S1-37346525001	2					
2B	128	S1-37346526001	GUARD,COIL,RESPAK,14 IN,FRONT/REAR,CHAMP	S1-37346526001		2				
2B	128	S1-37346527001	GUARD,COIL,RESPAK,16 IN,FRONT&REAR,CHAMP	S1-37346527001			2	2		
2B	128	S1-37346530001	GUARD,COIL,RESPAK,22 IN,FRONT/REAR,CHAMP	S1-37346530001						2
2B	129	S1-37346520001	GUARD,COIL,RESPAK,16 IN,LARGE SIDE,CHAMP	S1-37346520001			2	2		
2B	129	S1-37346523001	GUARD,COIL,RESPAK,22 IN,LARGE SIDE,CHAMP	S1-37346523001						2
2B	129	S1-37346532001	GUARD,COIL,RESPAK,12 IN,SMALL SIDE,CHAMP	S1-37346532001	2					
2B	129	S1-37346533001	GUARD,COIL,RESPAK,14 IN,SMALL SIDE,CHAMP	S1-37346533001		2				
2B	152	S1-02815853000	PLUG,SEAL 7/8 INCH HOLE BLACK	S1-02815853000	2	2	2	2	2	2
2B	153	S1-02816466000	PLUG,PLASTIC,1-3/32 INCH	S1-02816466000	2	2	2	2	2	2
2B	170	S1-02814791000	GROMMET,1-3/8 INCH	S1-02814791000	1	1	1	1	1	1

Section	Callout	Replacement Part #	Description	Original Part #	PHE4B60 24					
2B	NS	S1-02538584000	CNTRL,DEFROST,AMBIENT TEMPERATURE	S1-02538584000	1					
2B	101	S1-07327986001	BASE RAIL,FRONT & REAR	S1-07327986001	2					
2B	102	S1-07327986002	BASE RAIL,SIDE,LARGE	S1-07327986002	2					
2B	108	S1-37327989001	PANEL ASSEM,REAR DUCT,LARGE	S1-37327989001	1					
2B	119	S1-37347173001	PNL,ASSEM,UTILITY,ELEC,RESPAK	S1-37347173001	1					
2B	120	S1-37347175001	PNL,ASSEM,HEAT EXCH ACCESS,LG,RESPAK	S1-37347175001	1					
2B	126	S1-07346552001	POST,CORNER,RESPAK,24 IN,SMALL,CHAMP	S1-07346552001	2					
2B	127	S1-07346545001	POST,CORNER,RESPAK,24 IN,LARGE,CHAMP	S1-07346545001	2					
2B	128	S1-37346531001	GUARD,COIL,RESPAK,24 IN,FRONT/REAR,CHAMP	S1-37346531001	2					
2B	129	S1-37346524001	GUARD,COIL,RESPAK,24 IN,LARGE SIDE,CHAMP	S1-37346524001	2					
2B	152	S1-02815853000	PLUG,SEAL 7/8 INCH HOLE BLACK	S1-02815853000	2					
2B	153	S1-02816466000	PLUG,PLASTIC,1-3/32 INCH	S1-02816466000	2					
2B	170	S1-02814791000	GROMMET,1-3/8 INCH	S1-02814791000	1					

Suggested stocking items are shown with shaded item number.





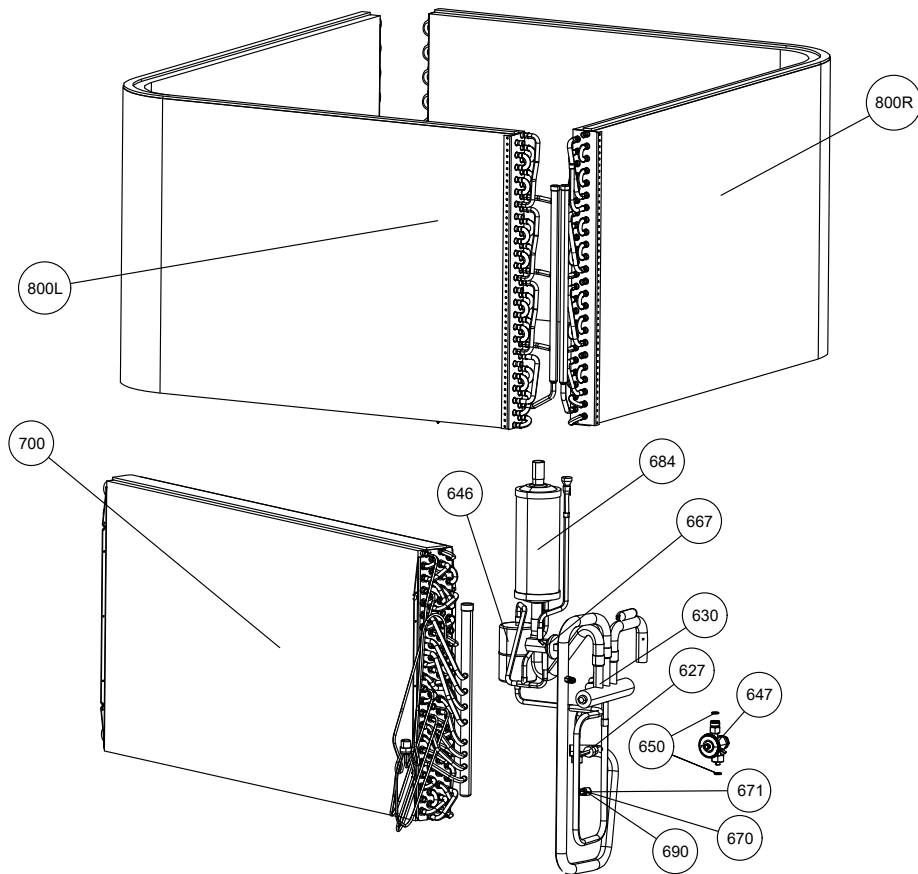
**Section : SHEET METAL / CABINET PARTS- FRONT**

Section	Callout	Replacement Part #	Description	Original Part #	PHE4A24 24	PHE4A30 24	PHE4B36 24	PHE4B42 24	PHE4B48 24
2C	111	S1-37327990001	PANEL ASSEM,COIL & FILTER ACCESS,SMALL	S1-37327990001	1	1			
2C	111	S1-37327990002	PANEL ASSEM,COIL & FILTER ACCESS,LARGE	S1-37327990002			1	1	1
2C	114	S1-37347210001	PNL,ASSEM,ACCESS,COMPRESSOR,RESPAK	S1-37347210001	1	1	1	1	1
2C	115	S1-37347171001	PNL,ASSEM,ACCESS,BLOWER,RESPAK	S1-37347171001	1	1	1	1	1
2C	118	S1-07339498002	PANEL,BURNER,CONTROL ACCESS	S1-07339498002	1	1	1	1	1
2C	126	S1-07346546001	POST,CORNER,RESPAK,12 IN,SMALL,CHAMP	S1-07346546001	2				
2C	126	S1-07346547001	POST,CORNER,RESPAK,14 IN,SMALL,CHAMP	S1-07346547001		2			
2C	126	S1-07346548001	POST,CORNER,RESPAK,16 IN,SMALL,CHAMP	S1-07346548001			2	2	
2C	126	S1-07346551001	POST,CORNER,RESPAK,22 IN,SMALL,CHAMP	S1-07346551001					2
2C	127	S1-07346539001	POST,CORNER,RESPAK,12 IN,LARGE,CHAMP	S1-07346539001	2				
2C	127	S1-07346540001	POST,CORNER,RESPAK,14 IN,LARGE,CHAMP	S1-07346540001		2			
2C	127	S1-07346541001	POST,CORNER,RESPAK,16 IN,LARGE,CHAMP	S1-07346541001			2	2	
2C	127	S1-07346544001	POST,CORNER,RESPAK,22 IN,LARGE,CHAMP	S1-07346544001					2
2C	128	S1-37346525001	GUARD,COIL,RESPAK,12 IN,FRONT&REAR,CHAMP	S1-37346525001	2				

2C	128	S1-37346526001	GUARD,COIL,RESPAK,14 IN,FRONT/REAR,CHAMP	S1- 37346526 001		2			
2C	128	S1-37346527001	GUARD,COIL,RESPAK,16 IN,FRONT&REAR,CHAMP	S1- 37346527 001			2	2	
2C	128	S1-37346530001	GUARD,COIL,RESPAK,22 IN,FRONT/REAR,CHAMP	S1- 37346530 001					2
2C	129	S1-37346520001	GUARD,COIL,RESPAK,16 IN,LARGE SIDE,CHAMP	S1- 37346520 001			2	2	
2C	129	S1-37346523001	GUARD,COIL,RESPAK,22 IN,LARGE SIDE,CHAMP	S1- 37346523 001					2
2C	129	S1-37346532001	GUARD,COIL,RESPAK,12 IN,SMALL SIDE,CHAMP	S1- 37346532 001	2				
2C	129	S1-37346533001	GUARD,COIL,RESPAK,14 IN,SMALL SIDE,CHAMP	S1- 37346533 001		2			
2C	140	S1-07339378001	PANEL,TOP,LARGE	S1- 07339378 001			1	1	1
2C	140	S1-07339378002	PANEL,TOP,SMALL	S1- 07339378 002	1	1			

Section	Callout	Replacement Part #	Description	Original Part #	PHE4B60 24				
2C	111	S1-37327990002	PANEL ASSEM,COIL & FILTER ACCESS,LARGE	S1- 37327990 002	1				
2C	114	S1-07339375001	PANEL,COMPRESSOR ACCESS	S1- 07339375 001	1				
2C	114	S1-37347210001	PNL,ASSEM,ACCESS,COMPRES SOR,RESPAK	S1- 37347210 001	1				
2C	115	S1-37347171001	PNL,ASSEM,ACCESS,BLOWER, RESPAK	S1- 37347171 001	1				
2C	118	S1-07339498002	PANEL,BURNER,CONTROL ACCESS	S1- 07339498 002	1				
2C	126	S1-07346552001	POST,CORNER,RESPAK,24 IN,SMALL,CHAMP	S1- 07346552 001	2				
2C	127	S1-07346545001	POST,CORNER,RESPAK,24 IN,LARGE,CHAMP	S1- 07346545 001	2				
2C	128	S1-37346531001	GUARD,COIL,RESPAK,24 IN,FRONT/REAR,CHAMP	S1- 37346531 001	2				
2C	129	S1-37346524001	GUARD,COIL,RESPAK,24 IN,LARGE SIDE,CHAMP	S1- 37346524 001	2				
2C	140	S1-07339378001	PANEL,TOP,LARGE	S1- 07339378 001	1				

Suggested stocking items are shown with shaded item number.



## Section : REFRIGERATION SYSTEM

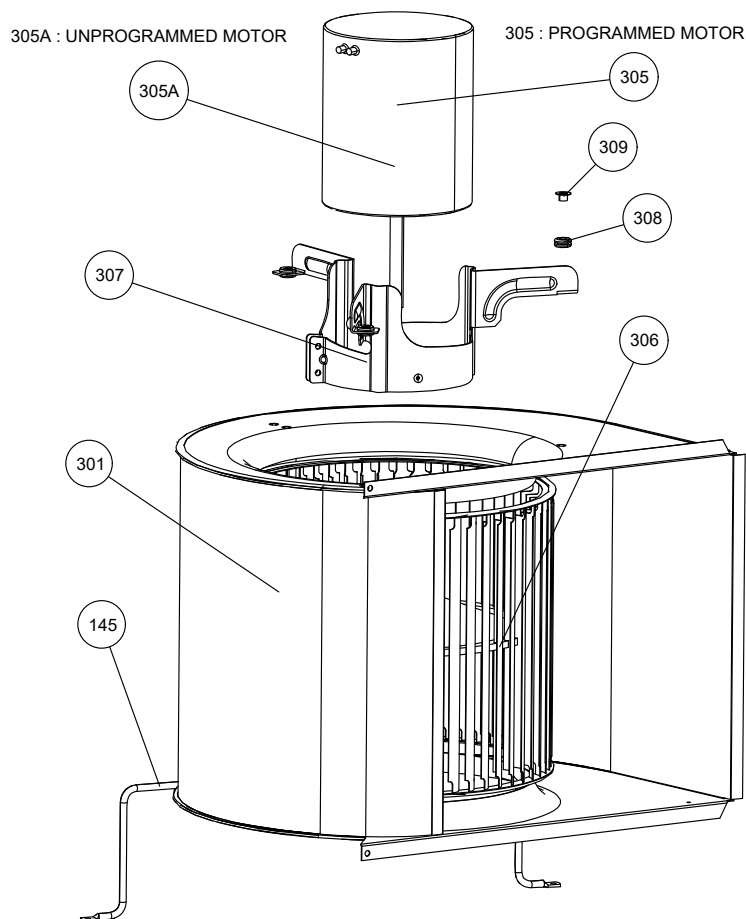
Section	Callout	Replacement Part #	Description	Original Part #	PHE4A24 24	PHE4A30 24	PHE4B36 24	PHE4B42 24	PHE4B48 24
3	NS	S1-02211539000	DISTR,2 TUBE,7/8X5/8X5/8	S1-02211539000	1	1	1	1	1
3	NS	S1-02213421000	DISTR,8 CIRCUIT,COPPER,7MM,24 IN	S1-02213421000		1	1	1	1
3	NS	S1-02213423000	DISTR,4 CIRCUIT,COPPER,7MM,24 IN	S1-02213423000	1				
3	NS	S1-02442183000	CNTRL,TEMP,275/255 (O/C),SPST	S1-02442183000	1	1	1	1	1
3	NS	S1-02552097000	SENSOR,TEMP,DEFROST THERMISTOR	S1-02552097000	1	1	1	1	1
3	627	S1-02552057000	SWITCH,PRES,REFRIG,650/450 (O/C),PSIG	S1-02552057000	1	1	1	1	1
3	630	S1-02533307002	VLV,REVERSING W/COIL	S1-02533307002				1	1
3	646	S1-404101	FILTER-DRIER,HPC 3/8 ODF,18 SQ IN	S1-404101	1	1	1	1	1
3	647	S1-02552077000	VLV,TXV,CHAT X CHAT,99.1 PSIG,SPORLAN	S1-02552077000		1			
3	647	S1-02552078000	VLV,TXV,CHAT X CHAT,95.4 PSIG,SPORLAN	S1-02552078000			1	1	
3	647	S1-02552079000	VLV,TXV,CHAT X CHAT,96.5 PSIG,SPORLAN	S1-02552079000					1
3	647	S1-02552087000	VLV,TXV,CHAT X CHAT,93.2 PSIG,SPORLAN	S1-02552087000	1				
3	650	S1-02131419000	WASHER,TXV	S1-02131419000	1	1	1	1	1
3	667	S1-02552081000	VLV,TXV,0.375 X 0.375,96.0 PSIG,SPORLAN	S1-02552081000		1			

3	667	S1-02552082000	VLV, TXV, 0.375 X 0.375, 87.0 PSIG, SPORLAN	S1-02552082000				1	
3	667	S1-02552083000	VLV, TXV, 0.375 X 0.375, 98.3 PSIG, SPORLAN	S1-02552083000					1
3	667	S1-02552088000	VLV, TXV, 0.375 X 0.375, 100.2 PSIG SPORLAN	S1-02552088000	1		1		
3	671	S1-02310745000	CAP, SEAL, KNURLED 7/1	S1-02310745000	2	2	2	2	2
3	684	S1-02635433000	COMPENSATOR TANK	S1-02635433000		1	1	1	1
3	690	S1-02202475700	CORE, VLV, V PORT (M10)	S1-02202475700	2	2	2	2	2
3	700	S1-37347194001	COIL, ASSEM, EVAP, W/DIST, 3R, 40.9 IN, 16 FPI	S1-37347194001			1		
3	700	S1-37347197001	COIL, ASSEM, EVAP, W/DIST, 3R, 29.9 IN, 16 FPI	S1-37347197001	1				
3	700	S1-37347206001	COIL, ASSEM, EVAP, W/DIST, 3R, 29.9 IN, 16 FPI	S1-37347206001		1			
3	700	S1-37347207001	COIL, ASSEM, EVAP, W/DIST, 3R, 40.9 IN, 16 FPI	S1-37347207001				1	
3	700	S1-37347208001	COIL, ASSEM, EVAP, W/DIST, 4R, 40.9 IN, 16 FPI	S1-37347208001					1
3	800L	S1-37347192001	COIL, ASSEM, OUTDOOR, 2R, 16.0 IN, 22 FPI, LH	S1-37347192001			1		
3	800L	S1-37347195001	COIL, ASSEM, OUTDOOR, 1R, 12.8 IN, 22 FPI, LH	S1-37347195001	1				
3	800L	S1-37347198001	COIL, ASSEM, OUTDOOR, 2R, 14.4 IN, 22 FPI, LH	S1-37347198001		1			
3	800L	S1-37347200001	COIL, ASSEM, OUTDOOR, 2R, 16.0 IN, 22 FPI, LH	S1-37347200001				1	
3	800L	S1-37347202001	COIL, ASSEM, OUTDOOR, 2R, 22.4 IN, 22 FPI, LH	S1-37347202001					1
3	800R	S1-37347193001	COIL, ASSEM, OUTDOOR, 2R, 16.0 IN, 22 FPI, RH	S1-37347193001			1		
3	800R	S1-37347196001	COIL, ASSEM, OUTDOOR, 1R, 12.8 IN, 22 FPI, RH	S1-37347196001	1				
3	800R	S1-37347199001	COIL, ASSEM, OUTDOOR, 2R, 14.4 IN, 22 FPI, RH	S1-37347199001		1			
3	800R	S1-37347201001	COIL, ASSEM, OUTDOOR, 2R, 16.0 IN, 22 FPI, RH	S1-37347201001				1	
3	800R	S1-37347203001	COIL, ASSEM, OUTDOOR, 2R, 22.4 IN, 22 FPI, RH	S1-37347203001					1

Section	Callout	Replacement Part #	Description	Original Part #	PHE4B60 24				
3	NS	S1-02211539000	DISTR, 2 TUBE, 7/8X5/8X5/8	S1-02211539000	1				
3	NS	S1-02213422000	DISTR, 10 CIRCUIT, COPPER, 7MM, 24 IN	S1-02213422000	1				
3	NS	S1-02442183000	CNTRL, TEMP, 275/255 (O/C), SPST	S1-02442183000	1				
3	NS	S1-02552097000	SENSOR, TEMP, DEFROST THERMISTOR	S1-02552097000	1				
3	627	S1-02552057000	SWITCH, PRES, REFRIG, 650/450 (O/C), PSIG	S1-02552057000	1				
3	630	S1-02533307002	VLV, REVERSING W/COIL	S1-02533307002	1				
3	646	S1-404101	FILTER-DRIER, HPC 3/8 ODF, 18 SQ IN	S1-404101	1				

3	647	S1-02552080000	VLV,TXV,CHAT X CHAT,97.6 PSIG,SPORLAN	S1- 02552080 000	1				
3	650	S1-02131419000	WASHER,TXV	S1- 02131419 000	1				
3	667	S1-02552084000	VLV,TXV,0.375 X 0.375,91.7 PSIG,SPORLAN	S1- 02552084 000	1				
3	671	S1-02310745000	CAP,SEAL,KNURLED 7/1	S1- 02310745 000	2				
3	690	S1-02202475700	CORE,VLV,V PORT (M10)	S1- 02202475 700	2				
3	700	S1-37347209001	COIL,ASSEM,EVAP,W/DIST,4R, 40.9 IN,16 FPI	S1- 37347209 001	1				
3	800L	S1-37347204001	COIL,ASSEM,OUTDOOR,2R,24. 0 IN,22 FPI,LH	S1- 37347204 001	1				
3	800R	S1-37347205001	COIL,ASSEM,OUTDOOR,2R,24. 0 IN,22 FPI,RH	S1- 37347205 001	1				

Suggested stocking items are shown with shaded item number.



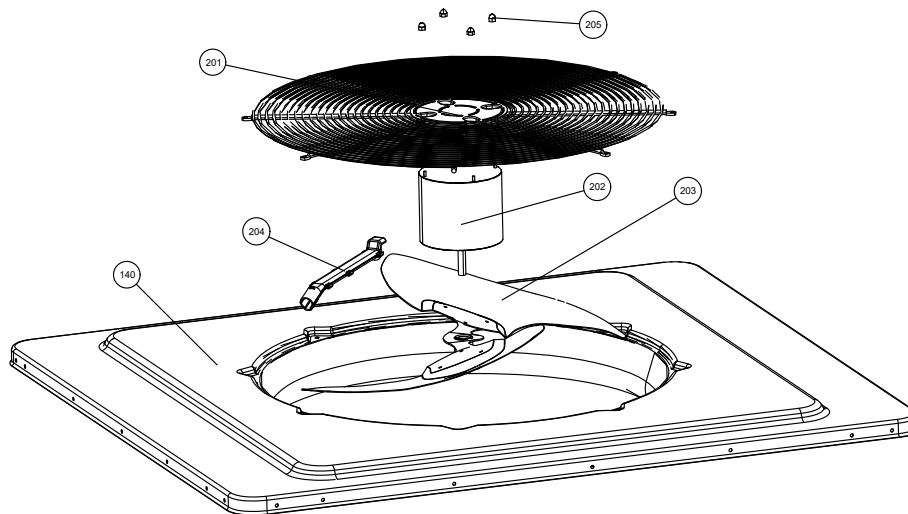
## Section : INDOOR BLOWER PARTS

Section	Callout	Replacement Part #	Description	Original Part #	PHE4A24 24	PHE4A30 24	PHE4B36 24	PHE4B42 24	PHE4B48 24
4	145	S1-02647773000	SUPPORT,BLOWER,8 INCH HOUSING	S1-02647773000	1	1			
4	145	S1-02647774000	SUPPORT,BLOWER,10 INCH HOUSING	S1-02647774000			1	1	1
4	301	S1-37347154001	HOUSING,BLOWER,11-8	S1-37347154001	1	1			
4	301	S1-37347155001	HOUSING,BLOWER,11-10	S1-37347155001			1	1	1
4	305	S1-32436221010	MTR,BLW,PRGRM,1/2,230V,ECM,BROAD OCEAN	S1-32436221010		1			
4	305	S1-32436221012	MTR,BLW,PRGRM,1/2,230V,ECM,BROAD OCEAN	S1-32436221012			1		
4	305	S1-32436221015	MTR,BLW,PRGRM,1/2,230V,ECM,BROAD OCEAN	S1-32436221015	1				
4	305	S1-32436222015	MTR,BLW,PRGRM,3/4,230V,ECM,BROAD OCEAN	S1-32436222015				1	
4	305	S1-32436222016	MTR,BLW,PRGRM,3/4,230V,ECM,BROAD OCEAN	S1-32436222016					1
4	305A	S1-02436221000	MTR,BLW,UNPRGRM,1/2,230V,ECM,BROAD OCEAN	S1-02436221000	1	1	1		
4	305A	S1-02436222000	MTR,BLW,UNPRGRM,3/4,230V,ECM,BROAD OCEAN	S1-02436222000				1	1
4	306	S1-02647766000	WHL,BLW,11 X 8,CCW,1/2 INCH BORE	S1-02647766000	1	1			
4	306	S1-02647767000	WHL,BLW,11 X 10,CCW,1/2 INCH BORE	S1-02647767000			1	1	1
4	307	S1-37319831002	MOUNT,MOTOR KIT	S1-37319831002	1	1	1	1	1

4	308	S1-02814740000	GROMMET,NEOPRENE,5/8D X 0.281 MTG	S1-02814740000	3	3	3	3	3
4	309	S1-02320541000	FERRULE	S1-02320541000	3	3	3	3	3

Section	Callout	Replacement Part #	Description	Original Part #	PHE4B60 24				
4	145	S1-02647774000	SUPPORT,BLOWER,10 INCH HOUSING	S1-02647774000	1				
4	301	S1-37347155001	HOUSING,BLOWER,11-10	S1-37347155001	1				
4	305	S1-32436223007	MTR,BLW,PRGRM,1.0,230V,ECM,BROAD OCEAN	S1-32436223007	1				
4	305A	S1-02436223000	MTR,BLW,UNPRGRM,1.0,230V,ECM,BROAD OCEAN	S1-02436223000	1				
4	306	S1-02647767000	WHL,BLW,11 X 10,CCW,1/2 INCH BORE	S1-02647767000	1				
4	307	S1-37319831002	MOUNT,MOTOR KIT	S1-37319831002	1				
4	308	S1-02814740000	GROMMET,NEOPRENE,5/8D X 0.281 MTG	S1-02814740000	3				
4	309	S1-02320541000	FERRULE	S1-02320541000	3				

Suggested stocking items are shown with shaded item number.



## Section : ROOF ASSEM / OUTDOOR FAN AND MOTOR PARTS

Section	Callout	Replacement Part #	Description	Original Part #	PHE4A24 24	PHE4A30 24	PHE4B36 24	PHE4B42 24	PHE4B48 24
6	140	S1-07339378001	PANEL, TOP, LARGE	S1-07339378001			1	1	1
6	140	S1-07339378002	PANEL, TOP, SMALL	S1-07339378002	1	1			
6	201	S1-02647770000	GUARD, FAN, BLACK, 24 INCH (C)	S1-02647770000	1	1			
6	201	S1-02647771000	GUARD, FAN, BLACK, 26 INCH (D)	S1-02647771000			1	1	1
6	202	S1-02442196000	MTR, COND, 1/3, 850/1, CWLE, 230-1-60	S1-02442196000			1	1	1
6	202	S1-02442197000	MTR, COND, 1/4, 850/1, CWLE, 230-1-60	S1-02442197000	1	1			
6	203	S1-02647782000	FAN, PROP, 26 INCH, CW, 2-32, 1/2 INCH BORE	S1-02647782000			1		1
6	203	S1-02649678000	FAN, PROP, 26 INCH, CW, 2-28, 1/2 INCH BORE	S1-02649678000				1	
6	203	S1-02649703000	FAN, PROP, 24 IN, CW, 3-24, 0.500 IN BORE	S1-02649703000		1			
6	203	S1-02649704000	FAN, PROP, 24 IN, CW, 2-28, 0.500 IN BORE	S1-02649704000	1				
6	204	S1-02818869000	WIREWAY, C CABINET	S1-02818869000	1	1			
6	204	S1-02818870000	WIREWAY, D CABINET	S1-02818870000			1	1	1
6	205	S1-36390117700	NUT, ACORN KIT #8-32 UNC	S1-36390117700	4	4	4	4	4



Section	Callout	Replacement Part #	Description	Original Part #	PHE4B60 24				
6	140	S1-07339378001	PANEL, TOP, LARGE	S1-07339378001	1				
6	201	S1-02647771000	GUARD, FAN, BLACK, 26 INCH (D)	S1-02647771000	1				
6	202	S1-02442196000	MTR, COND, 1/3, 850/1, CWLE, 230-1-60	S1-02442196000	1				
6	203	S1-02647782000	FAN, PROP, 26 INCH, CW, 2-32, 1/2 INCH BORE	S1-02647782000	1				
6	204	S1-02818870000	WIREWAY, D CABINET	S1-02818870000	1				
6	205	S1-36390117700	NUT, ACORN KIT #8-32 UNC	S1-36390117700	4				

Suggested stocking items are shown with shaded item number.

## Section : MISCELLANEOUS

Section	Callout	Replacement Part #	Description	Original Part #	PHE4A24 24	PHE4A30 24	PHE4B36 24	PHE4B42 24	PHE4B48 24
8	NS	6059295	Screw Shoulder Hex-w 5/16 UNF L=1-1/2in	6059295	4	4	4	4	4
8	NS	S1-02118381000	FASTENER,PUSH-IN (M10)	S1- 02118381 000	1	1	1	1	1
8	NS	S1-02134584000	SCREW,HEX,10-16,5/8 LG,BLK,PVCSEAL(M100)	S1- 02134584 000	194	5	5	5	3
8	NS	S1-02527642000	CABLE STRAP,BLACK	S1- 02509607 000	13	2	2	2	2
8	NS	S1-02542731000	VLV,REVERSING,W/COIL V6	S1- 02542731 000	1	1	1		
8	NS	S1-07339417001	PANEL,CONTROL,ELECTRIC	S1- 07339417 001	1	1	1	1	1

Section	Callout	Replacement Part #	Description	Original Part #	PHE4B60 24				
8	NS	6059295	Screw Shoulder Hex-w 5/16 UNF L=1-1/2in	6059295	4				
8	NS	S1-02118381000	FASTENER,PUSH-IN (M10)	S1- 02118381 000	1				
8	NS	S1-02134584000	SCREW,HEX,10-16,5/8 LG,BLK,PVCSEAL(M100)	S1- 02134584 000	3				
8	NS	S1-02527642000	CABLE STRAP,BLACK	S1- 02509607 000	2				
8	NS	S1-07339417001	PANEL,CONTROL,ELECTRIC	S1- 07339417 001	1				

Suggested stocking items are shown with shaded item number.

## Section : WIRING DIAGRAM / VFD PARAMETER

Section	Callout	Replacement Part #	Description	Original Part #	PHE4A24 24	PHE4A30 24	PHE4B36 24	PHE4B42 24	PHE4B48 24
9	NS	1202703	WIRING DIAGRAM - HP/ELEC RESPACK	1202703	1	1	1	1	1

Section	Callout	Replacement Part #	Description	Original Part #	PHE4B60 24				
9	NS	1202703	WIRING DIAGRAM - HP/ELEC RESPACK	1202703	1				

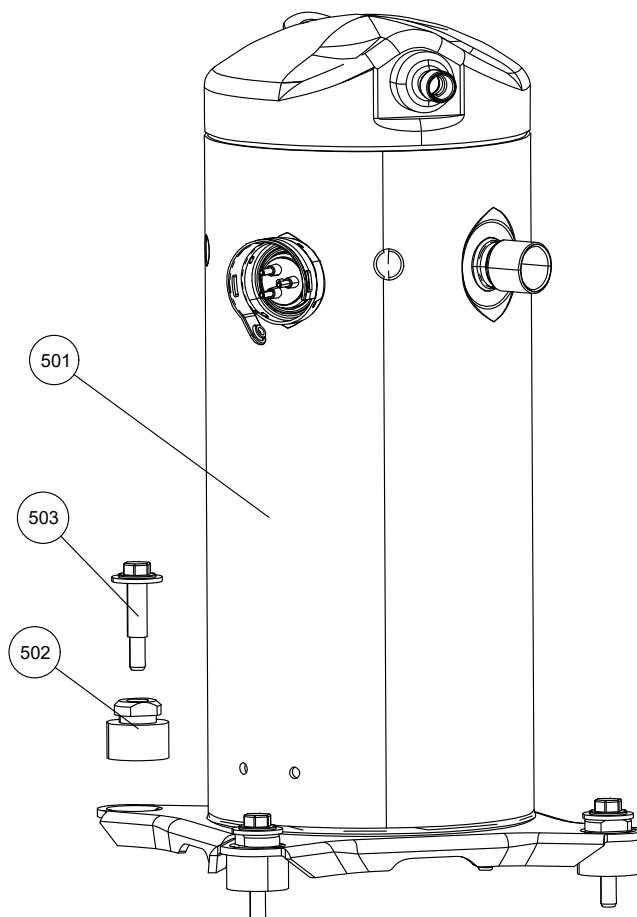
Suggested stocking items are shown with shaded item number.

## Section : HARNESES

Section	Callout	Replacement Part #	Description	Original Part #	PHE4A24 24	PHE4A30 24	PHE4B36 24	PHE4B42 24	PHE4B48 24
10	NS	S1-02547267000	HARNESS,WIRING	S1-02547267000	1	1	1	1	1
10	NS	S1-02552058000	HARNESS,COMPRESSOR,LG,1 PH	S1-02552058000	1	1	1	1	1

Section	Callout	Replacement Part #	Description	Original Part #	PHE4B60 24				
10	NS	S1-02547267000	HARNESS,WIRING	S1-02547267000	1				
10	NS	S1-02552058000	HARNESS,COMPRESSOR,LG,1 PH	S1-02552058000	1				

Suggested stocking items are shown with shaded item number.



**Section : COMPRESSOR**

Section	Callout	Replacement Part #	Description	Original Part #	PHE4A24 24	PHE4A30 24	PHE4B36 24	PHE4B42 24	PHE4B48 24
12	NS	S1-02552058000	HARNESS,COMPRESSOR,LG,1 PH	S1-02552058000	1	1	1	1	1
12	501	S1-01505101004	COMPR,SCROLL,208/230-1-60,R-410A,POE	S1-01505101004	1				
12	501	S1-01505112004	COMPR,SCROLL,208/230-1-60,R-410A,POE	S1-01505112004					1
12	501	S1-01505241004	COMPR,SCROLL,208/230-1-60,R-410A,POE	S1-01505241004		1			
12	501	S1-01505242004	COMPR,SCROLL,208/230-1-60,R-410A,POE	S1-01505242004			1		
12	501	S1-01505243004	COMPR,SCROLL,208/230-1-60,R-410A,POE	S1-01505243004				1	
12	502	S1-02809519000	ISOLATOR,COMPRESSOR	S1-02809519000	4	4	4	4	4

Section	Callout	Replacement Part #	Description	Original Part #	PHE4B60 24				
12	NS	S1-02552058000	HARNESS,COMPRESSOR,LG,1 PH	S1-02552058000	1				
12	501	S1-01505244004	COMPR,SCROLL,208/230-1-60,R-410A,POE	S1-01505244004	1				
12	502	S1-02809519000	ISOLATOR,COMPRESSOR	S1-02809519000	4				

Suggested stocking items are shown with shaded item number.

Model series repair parts lists are generated for each model number from the last production bill of material.

Major components and suggested stocking items are shown with shaded item number.

Repair parts lists are subject to change without notice.

TO ORDER AUTHORIZED FACTORY REPLACEMENT PARTS - Contact your Source1 HVAC Parts Distributor or visit our website at [www.Source1Parts.com](http://www.Source1Parts.com) for a Distributor and Dealer listing.

Copyright © 2025 by Johnson Controls Inc. All rights reserved.

Johnson Controls Unitary Products