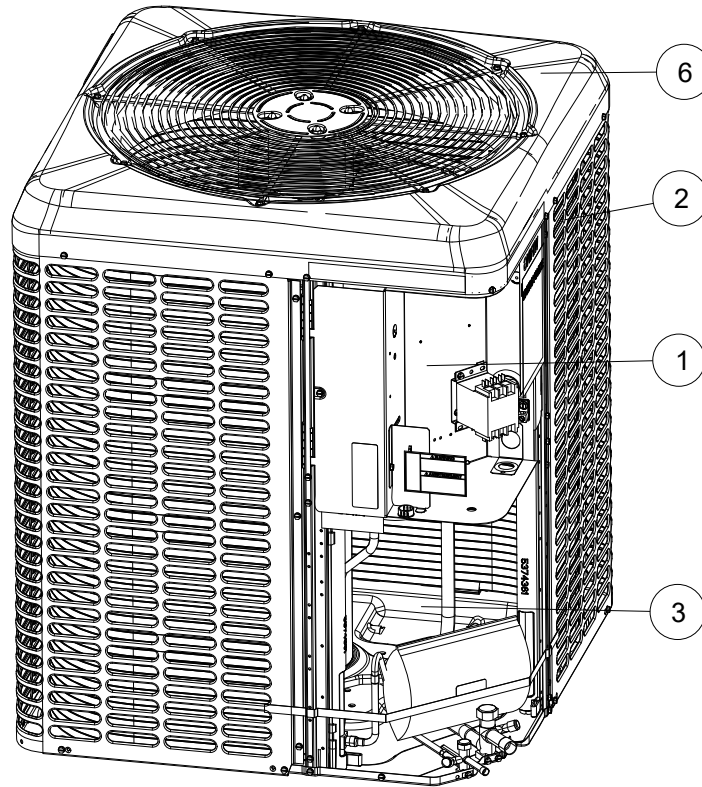


YC2E SERIES - 14.3 SEER MICROCHANNEL AIR CONDITIONER - R410A

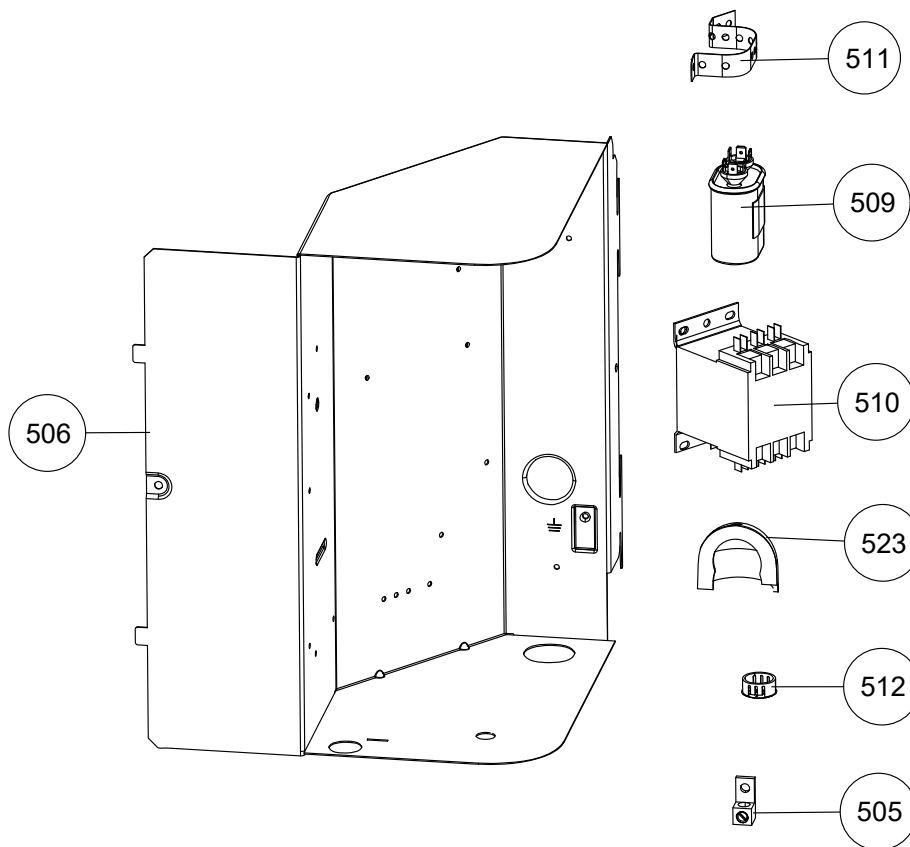
REPAIR PARTS LIST

PRINTED DATE: 4/8/2024

The information provided to you may include Johnson Controls' trade secrets, intellectual property, and confidential business information (including its Bill of Materials), and this information is to be kept in the strictest confidence and not to be disclosed to any third party without the prior written consent of Johnson Controls.



Section	Description
1	ELECTRICAL BOX / CONTROLS
2	SHEET METAL / CABINET PARTS
3	REFRIGERATION SYSTEM
6	ROOF ASSEM / OUTDOOR FAN AND MOTOR PARTS
8	MISCELLANEOUS
9	WIRING DIAGRAMS / VFD PARAMETERS
10	HARNESSES



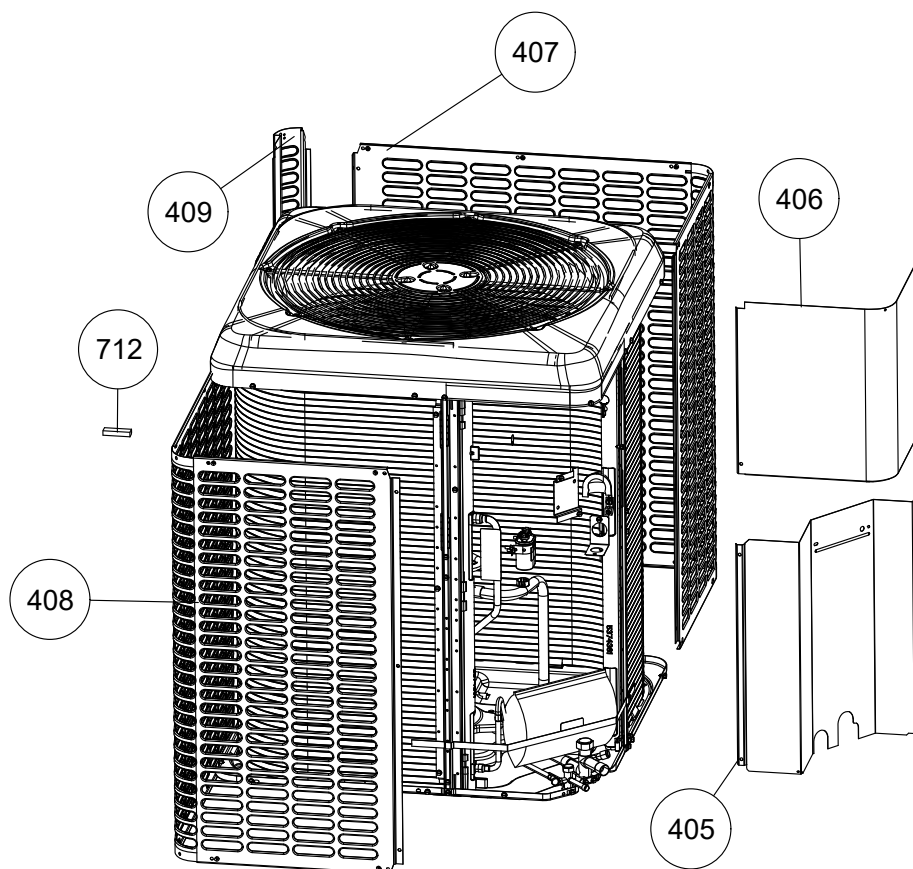
Section : ELECTRICAL BOX / CONTROLS

Section	Callout	Replacement Part #	Description	Original Part #	YC2E18S B21S	YC2E24S B21S	YC2E30S B21S	YC2E36S B21S	YC2E42S B21S
1	505	S1-02521798000	LUG,GROUND,ELECTRICAL ALUMINUM 1.06 X .5	S1-02521798000	1	1	1	1	1
1	506	S1-07339486001	CONTROL BOX,LARGE	S1-07339486001	1	1	1	1	1
1	509	S1-02425120700	CAP,RUN DUAL,45/5MFD,440V,ROUND	S1-02425120700				1	
1	509	S1-02425859700	CAP,RUN DUAL,35/5MFD,440V,ROUND	S1-02425859700	1	1			
1	509	S1-02425894700	CAP,RUN DUAL,40/5MFD,440V,ROUND	S1-02425894700			1		1
1	510	S1-02427531000	CNTCTR 1 POLE W/SHUNT,30A,24V	S1-02427531000	1	1	1	1	1
1	523	S1-02817106000	GASKET,RAIN HOOD,PLASTIC	S1-02817106000	1	1	1	1	1

Section	Callout	Replacement Part #	Description	Original Part #	YC2E48S B21S	YC2E60S B21S			
1	505	S1-02521798000	LUG,GROUND,ELECTRICAL ALUMINUM 1.06 X .5	S1-02521798000	1	1			
1	506	S1-07339486001	CONTROL BOX,LARGE	S1-07339486001	1	1			
1	509	S1-02435844000	CAP,RUN DUAL,70/5MFD,440V,ROUND	S1-02435844000	1	1			
1	510	S1-02425837700	CNTCTR,ELECTRICAL,SPNO,40 A,24V	S1-02425837700		1			
1	510	S1-02427531000	CNTCTR 1 POLE W/SHUNT,30A,24V	S1-02427531000	1				

1	523	S1-02817106000	GASKET,RAIN HOOD,PLASTIC	S1-02817106000	1	1			
---	-----	----------------	--------------------------	----------------	---	---	--	--	--

Suggested stocking items are shown with shaded item number.

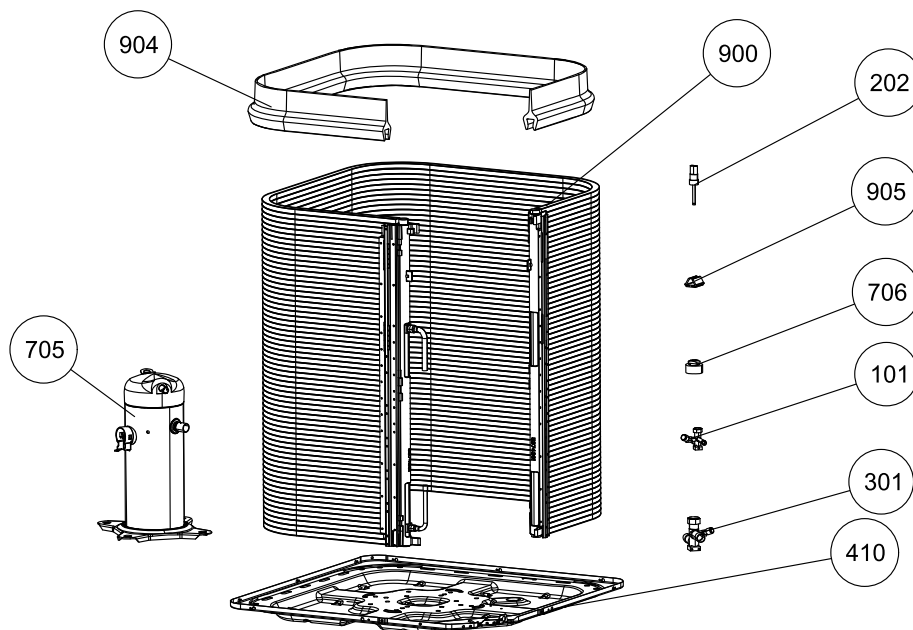


Section : SHEET METAL / CABINET PARTS

Section	Callout	Replacement Part #	Description	Original Part #	YC2E18S B21S	YC2E24S B21S	YC2E30S B21S	YC2E36S B21S	YC2E42S B21S
2	405	S1-07339399005	PNL,BLOCK-OFF,LG,29,CHAMPAGNE	S1-07339399005				1	
2	405	S1-07339399007	PNL,BLOCK-OFF,LG,32,CHAMPAGNE	S1-07339399007			1		1
2	405	S1-07339399009	PANEL,BLOCK-OFF,LG,26 INCH,CHAMPAGNE	S1-07339399009	1	1			
2	406	S1-07339400004	COVER,CONTROL BOX,LG,CHAMPAGNE	S1-07339400004	1	1	1	1	1
2	407	5833605	Screw Shoulder Hex-w 5/16 UNF L=1.715in	5833605					4
2	407	6059295	Screw Shoulder Hex-w 5/16 UNF L=1-1/2in	6059295	4	4	4	4	
2	407	S1-07339398003	PNL,COIL GUARD,B-BASE,26 INCH,CHAMPAGNE	S1-07339398003	2	2			
2	407	S1-07339398005	PNL,COIL GUARD,B-BASE,32 INCH,CHAMPAGNE	S1-07339398005			2		
2	407	S1-07339398007	PNL,COIL GUARD,C-BASE,29 IN,CHAMPAGNE,RH	S1-07339398007				1	
2	407	S1-07339434008	PANEL,COILGUARD,C-BASE,32 IN,CHMPGN,RH	S1-07339434008					1
2	408	S1-07339434010	PANEL,COILGUARD,C-BASE,32 IN,CHMPGN,LH	S1-07339434010					1
2	409	S1-07339401001	CORNER POST,26,CHAMPAGNE	S1-07339401001	1	1			
2	409	S1-07339401002	CORNER POST,29,CHAMPAGNE	S1-07339401002				1	
2	409	S1-07339401003	CORNER POST,32,CHAMPAGNE	S1-07339401003			1		1

Section	Callout	Replacement Part #	Description	Original Part #	YC2E48S B21S	YC2E60S B21S			
2	405	S1-07339399005	PNL,BLOCK-OFF,LG,29,CHAMPAGNE	S1-07339399005	1				
2	405	S1-07339399007	PNL,BLOCK-OFF,LG,32,CHAMPAGNE	S1-07339399007		1			
2	406	S1-07339400004	COVER,CONTROL BOX,LG,CHAMPAGNE	S1-07339400004	1	1			
2	407	5833605	Screw Shoulder Hex-w 5/16 UNF L=1.715in	5833605	4	4			
2	407	S1-07339398007	PNL,COIL GUARD,C-BASE,29 IN,CHAMPAGNE,RH	S1-07339398007	1				
2	407	S1-07339398011	PNL,COIL GUARD,D-BASE,32 IN,CHAMPAGNE,RH	S1-07339398011		1			
2	409	S1-07339401002	CORNER POST,29,CHAMPAGNE	S1-07339401002	1				
2	409	S1-07339401003	CORNER POST,32,CHAMPAGNE	S1-07339401003		1			

Suggested stocking items are shown with shaded item number.



Section : REFRIGERATION SYSTEM

Section	Callout	Replacement Part #	Description	Original Part #	YC2E18S B21S	YC2E24S B21S	YC2E30S B21S	YC2E36S B21S	YC2E42S B21S
3	NS	S1-6109460	FILTER-DRIER,LIQUID,3/8 ODF,DCL 053S	S1-6109460	1	1	1	1	1
3	101	S1-02322459000	VALVE,BASE,3/8 INCH	S1-02322459000	1	1	1	1	1
3	202	S1-02546848000	SWITCH,PRESSURE,HIGH	S1-02546848000	1	1	1	1	1
3	301	S1-02322460000	VALVE,BASE,3/4 INCH	S1-02322460000	1	1	1	1	
3	301	S1-02322461000	VALVE,BASE,7/8 INCH	S1-02322461000					1
3	408	S1-07339398009	PNL_COIL GUARD,C-BASE,29 IN,CHAMPAGNE,LH	S1-07339398009				1	
3	410	S1-07348980001	BASE PAN,EB,CHAMP	S1-07348980001	1	1	1		
3	705	S1-01505273004	COMPR,ROTARY,208/230-1-60,R-410A,POE	S1-01505273004			1		
3	705	S1-01505278004	COMPR,SCROLL,208/230-1-60,R-410A,POE	S1-01505278004	1				
3	705	S1-01505279004	COMPR,SCROLL,208/230-1-60,R-410A,POE	S1-01505279004		1			
3	705	S1-01505280004	COMPR,SCROLL,208/230-1-60,R-410A,POE	S1-01505280004				1	
3	705	S1-01505281004	COMPR,SCROLL,208/230-1-60,R-410A,POE	S1-01505281004					1
3	706	S1-02810505000	GROMMET	S1-02810505000					4
3	706	S1-02810581000	ISOLATOR,COMPRESSOR,NEOPRENE	S1-02810581000	4	4	4	4	

3	708	S1-02550883000	HARNESS,COMPRESSOR W/PLUG	S1-02550883000			1	1	
3	708	S1-02551479000	HARNESS,COMPRESSOR,W/PLUG	S1-02551479000	1	1			1
3	900	S1-37339413002	COIL,OD FORMED ASSEM,26 INCH,B-BASE	S1-37339413002	1	1			
3	900	S1-37339413003	COIL,OD FORMED ASSEM,32 INCH,B-BASE	S1-37339413003			1		
3	900	S1-37339413004	COIL,OD FORMED ASSEM,29 INCH,C-BASE	S1-37339413004				1	
3	900	S1-37339433002	COIL,OUTDOOR,FORMED,CTC M,C-BASE,32 INCH	S1-37339433002					1
3	904	S1-02817075000	MOUNT,COIL,FOAM MOLDED,MC,CUT TO LENGTH	S1-02817069000	1	1	1		
3	904	S1-02817075000	MOUNT,COIL,FOAM MOLDED,MC,CUT TO LENGTH	S1-02817072000				1	1
3	905	S1-02817063000	MOUNT,COIL,E	S1-02817063000	6	6	6	8	8

Section	Callout	Replacement Part #	Description	Original Part #	YC2E48S B21S	YC2E60S B21S			
3	NS	S1-6109460	FILTER-DRIER,LIQUID,3/8 ODF,DCL 053S	S1-6109460	1	1			
3	101	S1-02322459000	VALVE,BASE,3/8 INCH	S1-02322459000	1	1			
3	202	S1-02546848000	SWITCH,PRESSURE,HIGH	S1-02546848000	1	1			
3	301	S1-02322461000	VALVE,BASE,7/8 INCH	S1-02322461000	1	1			
3	408	S1-07339398009	PNL,COIL GUARD,C-BASE,29 IN,CHAMPAGNE,LH	S1-07339398009	1				
3	408	S1-07339398013	PNL,COIL GUARD,D-BASE,32 IN,CHAMPAGNE,LH	S1-07339398013		1			
3	705	S1-01505282004	COMPR,SCROLL,208/230-1-60,R-410A,POE	S1-01505282004	1				
3	705	S1-01505283004	COMPR,SCROLL,208/230-1-60,R-410A,POE	S1-01505283004		1			
3	706	S1-02810505000	GROMMET	S1-02810505000	4	4			
3	708	S1-02550883000	HARNESS,COMPRESSOR W/PLUG	S1-02550883000	1	1			
3	900	S1-37339413004	COIL,OD FORMED ASSEM,29 INCH,C-BASE	S1-37339413004	1				
3	900	S1-37339413005	COIL,OD FORMED ASSEM,32 INCH,D-BASE	S1-37339413005		1			
3	904	S1-02817075000	MOUNT,COIL,FOAM MOLDED,MC,CUT TO LENGTH	S1-02817072000	1				
3	904	S1-02817075000	MOUNT,COIL,FOAM MOLDED,MC,CUT TO LENGTH	S1-02817075000		1			
3	905	S1-02817063000	MOUNT,COIL,E	S1-02817063000	8	8			

Suggested stocking items are shown with shaded item number.

6	403	S1-02647770000	GUARD,FAN,BLACK,24 INCH (C)	S1-02647770000	1				
6	403	S1-02647771000	GUARD,FAN,BLACK,26 INCH (D)	S1-02647771000		1			
6	404	S1-07339395007	TOP,CHAMPAGNE,C-BASE	S1-07339395007	1				
6	404	S1-07339395010	TOP,CHAMPAGNE,D-BASE	S1-07339395010		1			
6	603	S1-36390117700	NUT,ACORN KIT #8-32 UNC	S1-36390117700	4	4			
6	604	S1-02818869000	WIREWAY,C CABINET	S1-02818869000	1				
6	604	S1-02818870000	WIREWAY,D CABINET	S1-02818870000		1			
6	605	S1-02436240000	MTR,COND,1/4,850,CWLE,208/230V	S1-02436240000	1				
6	605	S1-02440879000	MTR,COND,1/4 HP,850/1,CW,230-1-60	S1-02440879000		1			
6	606	S1-02631361000	FAN,PROP,24",CW,3-25,1/2"BORE	S1-02631361000	1				
6	606	S1-02647794000	FAN,PROP,26 INCH,CW,3-24,1/2 INCH BORE	S1-02647794000		1			

Suggested stocking items are shown with shaded item number.

Section : MISCELLANEOUS

Section	Callout	Replacement Part #	Description	Original Part #	YC2E18S B21S	YC2E24S B21S	YC2E30S B21S	YC2E36S B21S	YC2E42S B21S
8	NS	S1-02527642000	CABLE STRAP,BLACK	S1-02509607000	2	2	2	2	2
8	NS	S1-02816476001	BADGING,YORK,OD,ML (M24)	S1-02816476001	1	1	1	1	1
8	602	S1-02118397000	SCREW,AB,#10 X 3/4",BLACK (M25)	S1-02118397000	8	8	8	8	8
8	710	S1-02118396000	SCREW,AB,#10 X 3/8 INCH,BLACK (M25)	S1-02118396000	48	48	48	48	48

Section	Callout	Replacement Part #	Description	Original Part #	YC2E48S B21S	YC2E60S B21S			
8	NS	S1-02527642000	CABLE STRAP,BLACK	S1-02509607000	2	2			
8	NS	S1-02816476001	BADGING,YORK,OD,ML (M24)	S1-02816476001	1	1			
8	602	S1-02118397000	SCREW,AB,#10 X 3/4",BLACK (M25)	S1-02118397000	8	8			
8	710	S1-02118396000	SCREW,AB,#10 X 3/8 INCH,BLACK (M25)	S1-02118396000	48	48			

Suggested stocking items are shown with shaded item number.

Section : WIRING DIAGRAMS / VFD PARAMETERS

Section	Callout	Replacement Part #	Description	Original Part #	YC2E18S B21S	YC2E24S B21S	YC2E30S B21S	YC2E36S B21S	YC2E42S B21S
9	735	6074817	WIRING DIAGRAM - 5.5 X 8.5	6074817	1	1	1	1	1

Section	Callout	Replacement Part #	Description	Original Part #	YC2E48S B21S	YC2E60S B21S			
9	735	6074817	WIRING DIAGRAM - 5.5 X 8.5	6074817	1	1			

Suggested stocking items are shown with shaded item number.

Section : HARNESES

Section	Callout	Replacement Part #	Description	Original Part #	YC2E18S B21S	YC2E24S B21S	YC2E30S B21S	YC2E36S B21S	YC2E42S B21S
10	513	S1-02552092000	HARNESS,WIRE,AC	S1-02552092000	1	1	1	1	1

Section	Callout	Replacement Part #	Description	Original Part #	YC2E48S B21S	YC2E60S B21S			
10	513	S1-02552092000	HARNESS,WIRE,AC	S1-02552092000	1	1			

Suggested stocking items are shown with shaded item number.

Model series repair parts lists are generated for each model number from the last production bill of material.

Major components and suggested stocking items are shown with shaded item number.

Repair parts lists are subject to change without notice.

TO ORDER AUTHORIZED FACTORY REPLACEMENT PARTS - Contact your Source1 HVAC Parts Distributor or visit our website at www.Source1Parts.com for a Distributor and Dealer listing.

Copyright © 2024 by Johnson Controls Inc. All rights reserved.

Johnson Controls Unitary Products